

POWER AMPLIFIER XP 1000/XP 2500/XP 3500

SERVICE MANUAL



• XP3500



• XP2500



• XP1000

■ CONTENTS (目次)

SPECIFICATION (総合仕様).....	3
DIMENSIONS (寸法図).....	5
PERFORMANCE GRAPHS (特性図).....	5
PANEL LAYOUT (パネルレイアウト).....	6
CIRCUIT BOARD LAYOUT (ユニットアウト).....	7
WIRING (結線図).....	9
DISASSEMBLY PROCEDURE (分解手順).....	10
IC BLOCK DIAGRAM (ICブロック図).....	16
CIRCUIT BOARDS (シート基板図).....	16
INSPECTIONS (検査).....	26/31
BLOCK DIAGRAM (ブロックダイアグラム)	
OVERALL CIRCUIT DIAGRAM (総回路図)	
PARTS LIST	

IMPORTANT NOTICE

This manual has been provided for the use of authorized Yamaha Retailers and their service personnel. It has been assumed that basic service procedures inherent to the industry, and more specifically Yamaha Products, are already known and understood by the users, and have therefore not been restated.

WARNING: Failure to follow appropriate service and safety procedures when servicing this product may result in personal injury, destruction of expensive components, and failure of the product to perform as specified. For these reasons, we advise all Yamaha product owners that all service required should be performed by an authorized Yamaha Retailer or the appointed service representative.

IMPORTANT: The presentation or sale of this manual to any individual or firm does not constitute authorization, certification or recognition of any applicable technical capabilities, or establish a principle-agent relationship of any form.

The data provided is believed to be accurate and applicable to the unit(s) indicated on the cover. The research, engineering, and service departments of Yamaha are continually striving to improve Yamaha products. Modifications are, therefore, inevitable and changes in specification are subject to change without notice or obligation to retrofit. Should any discrepancy appear to exist, please contact the distributor's Service Division.

WARNING: Static discharges can destroy expensive components. Discharge any static electricity your body may have accumulated by grounding yourself to the ground bus in the unit (heavy gauge black wires connect to this bus).

IMPORTANT: Turn the unit OFF during disassembly and part replacement. Recheck all work before you apply power to the unit.

WARNING: CHEMICAL CONTENT NOTICE!

The solder used in the production of this product contains LEAD. In addition, other electrical/electronic and/or plastic (where applicable) components may also contain traces of chemicals found by the California Health and Welfare Agency (and possibly other entities) to cause cancer and/or birth defects or other reproductive harm.

DO NOT PLACE SOLDER, ELECTRICAL/ELECTRONIC OR PLASTIC COMPONENTS IN YOUR MOUTH FOR ANY REASON WHATSOEVER!

Avoid prolonged, unprotected contact between solder and your skin! When soldering, do not inhale solder fumes or expose eyes to solder/flux vapor!

If you come in contact with solder or components located inside the enclosure of this product, wash your hands before handling food.

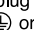
IMPORTANT NOTICE FOR THE UNITED KINGDOM

Connecting the Plug and Cord

WARNING: THIS APPARATUS MUST BE EARTHED
IMPORTANT. The wires in this mains lead are coloured in accordance with the following code:

GREEN-AND-YELLOW	: EARTH
BLUE	: NEUTRAL
BROWN	: LIVE

As the colours of the wires in the mains lead of this apparatus may not correspond with the coloured markings identifying the terminals in your plug proceed as follows:

The wire which is coloured GREEN-and-YELLOW must be connected to the terminal in the plug which is marked by the letter E or by the safety earth symbol  or colored GREEN or GREEN-and-YELLOW.

The wire which is coloured BLUE must be connected to the terminal which is marked with the letter N or coloured BLACK.

The wire which is coloured BROWN must be connected to the terminal which is marked with the letter L or coloured RED.

* This applies only to products distributed by Yamaha-Kemble Music (U.K.) Ltd.

■ SPECIFICATIONS (総合仕様)

XP3500			100 V (J)	120 V (U,T)	230 V (H,B,K,O)	240 V (A)	
Output Power	1 kHz THD+N= 1 %	8 Ω/STEREO	MIN	390 W+390 W	390 W+390 W	390 W+390 W	390 W+390 W
		4 Ω/STEREO		590 W+590 W	590 W+590 W	590 W+590 W	590 W+590 W
		8 Ω/BRIDGED		1180 W	1180 W	1180 W	1180 W
	20 -20 kHz THD+N= 0.1 %	8 Ω/STEREO		350 W+350 W	350 W+350 W	350 W+350 W	350 W+350 W
		4 Ω/STEREO		450 W+450 W	450 W+450 W	435 W+435 W	450 W+450 W
		8 Ω/BRIDGED		900 W	900 W	870 W	900 W
100 V/BRIDGED RL=16 Ω			625 W	625 W	625 W	625 W	
1 kHz 20mS nonclip	2 Ω/STEREO		1000 W+1000 W	1000 W+1000 W	925 W+925 W	1000 W+1000 W	
	4 Ω/BRIDGED		2000 W	2000 W	1850 W	2000 W	
SN Ratio	20Hz-20kHz	(DIN AUDIO)	MIN	102 dB			
Power Consumption	Standby / idle		5 W / 30 W				
	1/8 (4 Ω/Pink noise)		450 W	450 W	450 W	450 W	
XP2500			100 V (J)	120 V (U,T)	230 V (H,B,K,O)	240 V (A)	
Output Power	1 kHz THD+N= 1 %	8 Ω/STEREO	MIN	275 W+275 W	275 W+275 W	275 W+275 W	275 W+275 W
		4 Ω/STEREO		390 W+390 W	390 W+390 W	390 W+390 W	390 W+390 W
		8 Ω/BRIDGED		780 W	780 W	780 W	780 W
	20 -20 kHz THD+N= 0.1 %	8 Ω/STEREO		250 W+250 W	250 W+250 W	250 W+250 W	250 W+250 W
		4 Ω/STEREO		300 W+300 W	300 W+300 W	295 W+295 W	300 W+300 W
		8 Ω/BRIDGED		600 W	600 W	590 W	600 W
1 kHz 20mS nonclip		2 Ω/STEREO		650 W+650 W	650 W+650 W	650 W+650 W	650 W+650 W
		4 Ω/BRIDGED		1300 W	1300 W	1300 W	1300 W
SN Ratio	20Hz-20kHz	(DIN AUDIO)	MIN	100 dB			
Power Consumption	Standby / idle		5 W / 25 W				
	1/8 (4 Ω/Pink noise)		320 W	320 W	320 W	320 W	
XP1000			100 V (J)	120 V (U,T)	230 V (H,B,K,O)	240 V (A)	
Output Power	1 kHz THD+N= 1 %	8 Ω/STEREO	MIN	110 W+110 W	135 W+135 W	125 W+125 W	120 W+120 W
		4 Ω/STEREO		120 W+120 W	165 W+165 W	155 W+155 W	155 W+155 W
		8 Ω/BRIDGED		240 W	330 W	310 W	310 W
	20 -20 kHz THD+N= 0.1 %	8 Ω/STEREO		100 W+100 W	110 W+110 W	100 W+100 W	100 W+100 W
		4 Ω/STEREO		100 W+100 W	125 W+125 W	115 W+115 W	110 W+110 W
		8 Ω/BRIDGED		200 W	250 W	230 W	220 W
1 kHz 20mS nonclip		2 Ω/STEREO		250 W+250 W	250 W+250 W	250 W+250 W	250 W+250 W
		4 Ω/BRIDGED		500 W	500 W	500 W	500 W
SN Ratio	20 Hz-20 kHz	(DIN AUDIO)	MIN	96 dB			
Power Consumption	Standby / idle		5 W / 20 W				
	1/8 (4 Ω/Pink noise)		150 W	170 W	170 W	170 W	

All Models					
Power Bandwidth	Half Power, THD+N= 0.5 %	MIN	10 Hz-40 kHz		
THD+N	20 Hz-20 kHz, Half Power	MAX	0.1 %		
Intermodulation Distortion	60 Hz:7 kHz, 4:1, Half Power	MAX	0.1 %		
Frequency Response	RL=8 Ω, Po=1 W, HPF=OFF 20 Hz-50 kHz	MAX	0 dB		
		TYP	0 dB		
		MIN	-1 dB		
Channel Separation	Half Power, RL=8Ω, 1 kHz, Att. max, input 600 Ω shunt	MIN	70 dB		
Residual Noise	20 Hz-20 kHz, Att. min, (DIN AUDIO)	MAX	-70 dBu		
Damping Factor	RL=8 Ω, 1 kHz	MIN	200		
Voltage Gain	Att. max	TYP	Selectable from 32 dB or 26 dB (or +4 dBu input sensitivity) by select switch		
Input Sensitivity (dBu)	Att. max, Rated Power 8 Ω Switch Position		XP3500	XP2500	XP1000
		+4 dBu	+4	+4	+4
		26 dB	+10.7	+9.2	+5.2
		36 dB	+4.7	+3.2	-0.8
Maximum Input Voltage		MIN	+22 dBu		
Input Impedance		TYP	20 kΩ (balanced), 10 kΩ (unbalanced)		
Controls	Front Panel		POWER switch (push on/push off)		
			attenuator (31 position) x 2		
	Rear Panel		MODE switch (STEREO/BRIDGED/PARALLEL) x 1		
			HPF switch (20 Hz/55 Hz/OFF 12 dB/oct) x 2		
		GAIN SELECT switch (32 dB/26 dB/+4 dBu) x 1			

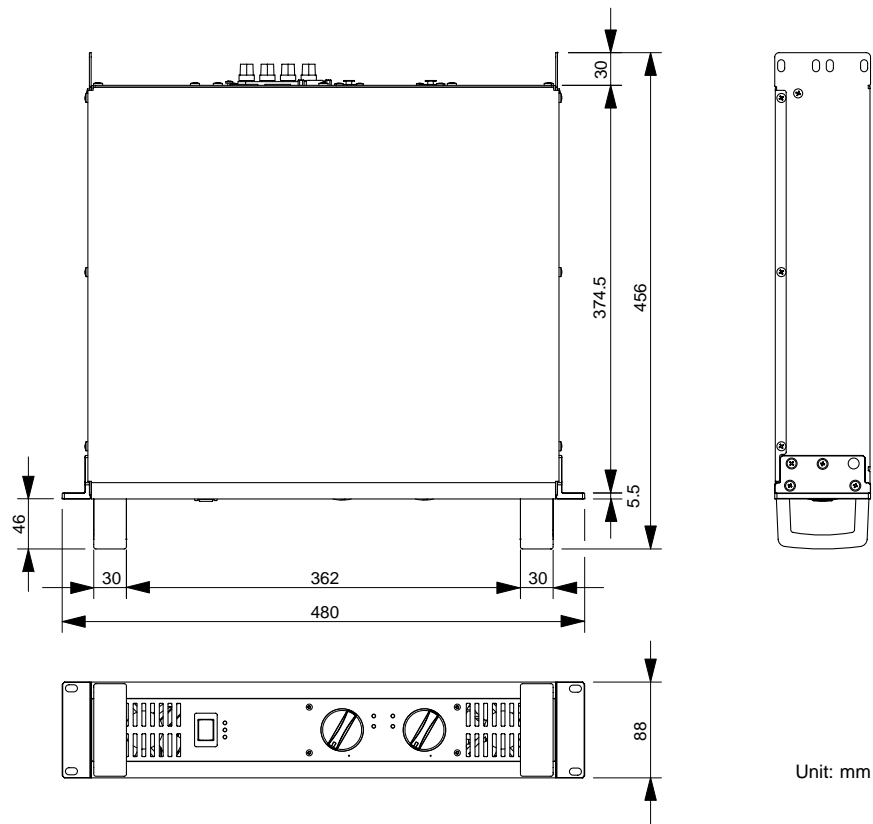
All Models			
Connectors	Input	XLR-3-31 type/ch, Euroblock connector (balanced) /ch	
	Output	SPEAKON/ch, 5 way binding post x 1	
	MONITOR/REMOTE	Dsub 15 P x 1	
Indicators	POWER/STANDBY	x 1 (Green/Orange)	
	SIGNAL	x 2 (Green)	
	CLIP/LIMIT	x 2 (Red)	
	PROTECTION/TEMP	x 1 (Red) x 1 (Red) heatsink temp ≥ 85 °C	
Load Protection	POWER switch on/off mute		
	DC-fault: output relay off/restored automatically.		
	Clip limiting : THD ≥ 0.5 %		
Amplifier Protection	Thermal: Cuts the output (heatsink temp ≥ 90 °C) ; operation not restored automatically. VI limiter (RL ≤ 1 Ω): Limit the output.		
Power Supply Protection	Thermal: Power supply shutdown (transformer temp ≥ 130 °C) ; restored automatically.		
Cooling	Variable-speed fan: x 1 Fan stop at heatsink temp < 55 °C		
Power Requirements	J: 100 V 50/60 Hz UC: 120 V/60 Hz HB: 230 V/50 Hz A: 240 V/50 Hz		
Dimensions (W x H x D)	480 x 88 x 456 mm		
Weight	XP3500 15 kg	XP2500 14 kg	XP1000 12 kg
Included Accessories	Security cover (with a hex wrench), Owner's Manual		

0 dBu=0.775 Vrms, Half Power=1/2 Output Power (3 dB below rated power)

■ MONITOR/REMOTE (接続ピン出力)

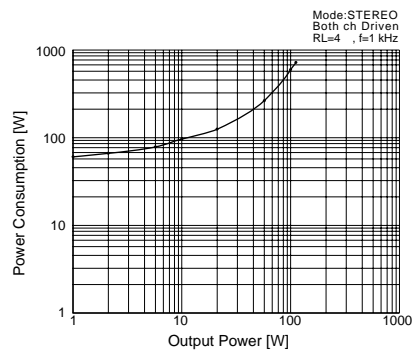
Pin No.	Signal		Description
1	GND		
2	REMOTE CONTROL	STANDBY	STANDBY Control: Supply 5 VDC, 5 mA
3	MONITOR	MODEL ID	XP3500: 1.5 k Ω , XP2500: 1.8 k Ω , XP1000: 2.2 k Ω (Impedance to GND)
4	REMOTE CONTROL	NC	MUTE Control: Connect to GND, +5 V, 1 mA
5		NC	
6		MUTE CH B	
7		MUTE CH A	
8	MONITOR	NC	PROTECTION Off/ Output On: +5 VDC, Zo=270
9		NC	
10		PROTECT STATUS CH B	PROTECTION On/ Output Off: 0 VDC, Zo=High
11		PROTECT STATUS CH A	
12		NC	XP3500, XP2500, XP1000
13		NC	
14		OUTPUT LEVEL CH B	
15		OUTPUT LEVEL CH A	+4dBu (-27.2 dB of Speaker Output Level) at 100 W/8 Ω , RL=7.5 k Ω , Zo=300

■ DIMENSIONS (寸法図)

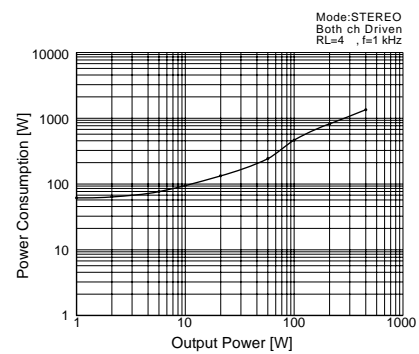


■ PERFORMANCE GRAPHS (特性図)

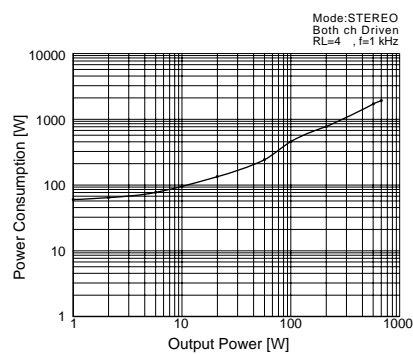
XP1000



XP2500

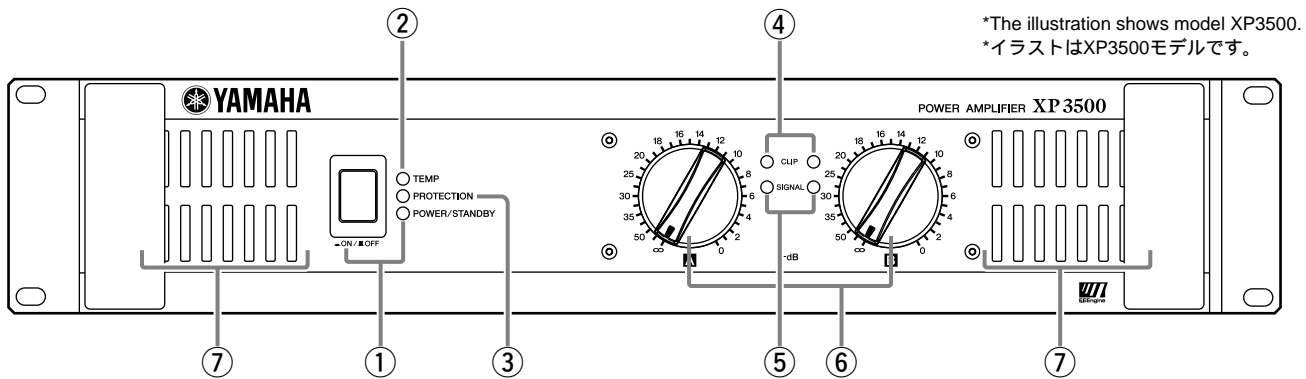


XP3500



■ PANEL LAYOUT (パネルレイアウト)

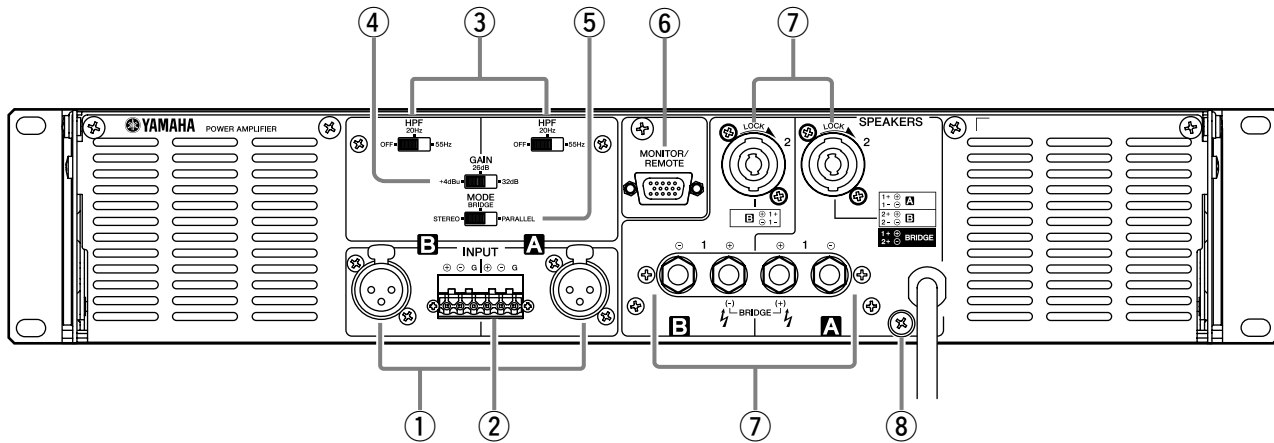
● Front Panel (フロントパネル)



- ① POWER switch and indicator
- ② TEMP indicator
- ③ PROTECTION indicator
- ④ CLIP indicator
- ⑤ SIGNAL indicator
- ⑥ Volume control knobs
- ⑦ Air intakes

- ① POWERスイッチ/インジケータ
- ② TEMPインジケータ
- ③ PROTECTIONインジケータ
- ④ CLIPインジケータ
- ⑤ SIGNALインジケータ
- ⑥ ボリューム
- ⑦ 吸気口

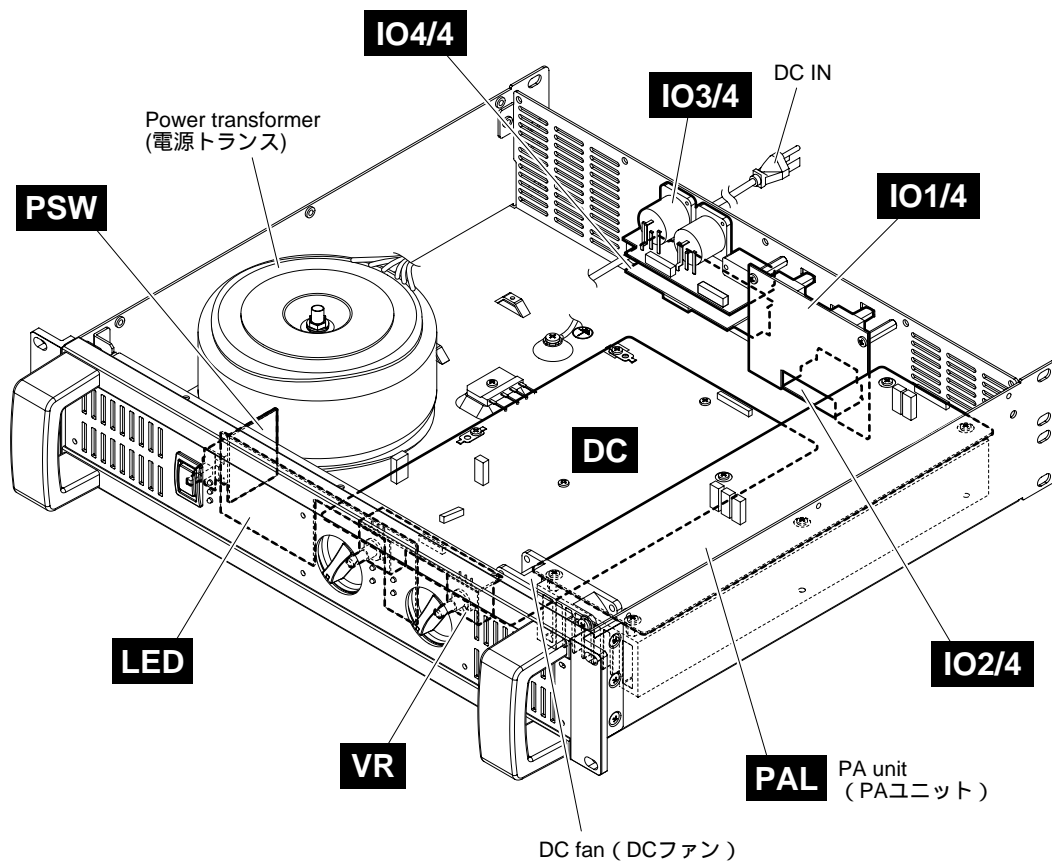
● Rear Panel (リアパネル)



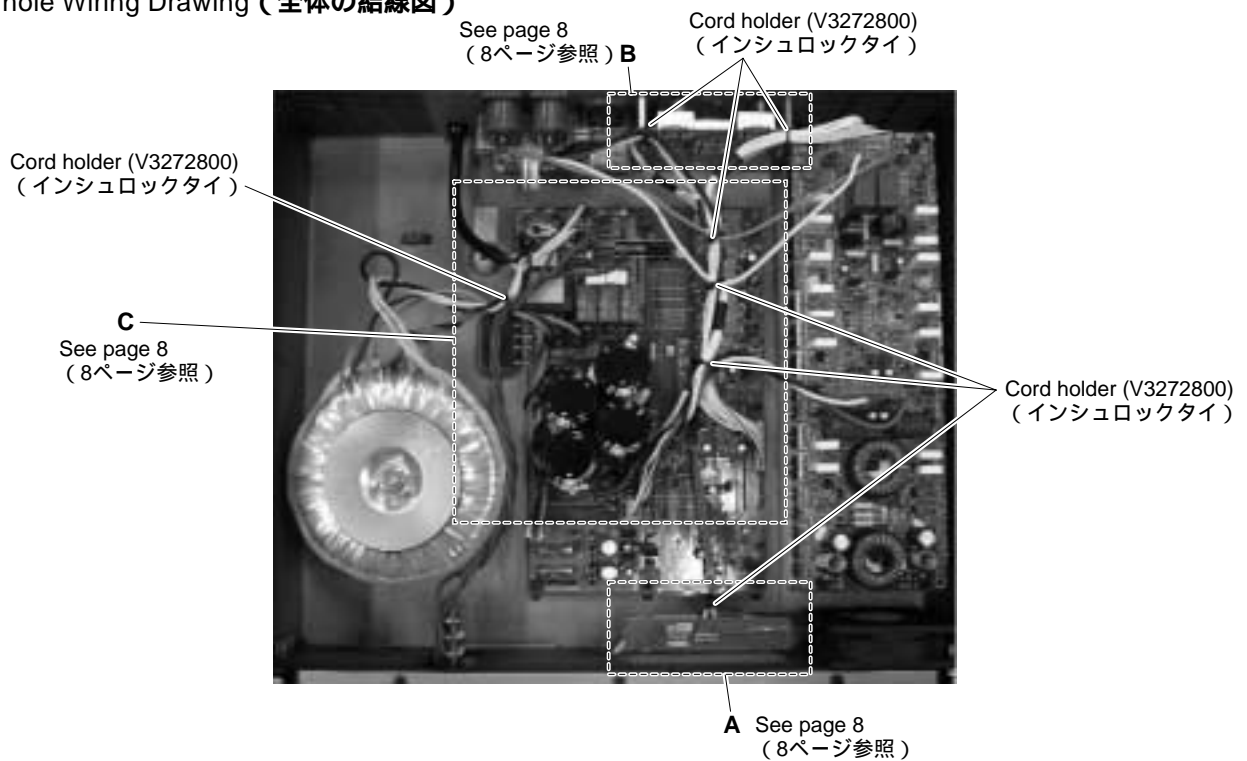
- ① XLR inputs connectors
- ② Euroblock connectors
- ③ HPF switches
- ④ GAIN switch
- ⑤ MODE switch
- ⑥ MONITOR/REMOTE terminals
- ⑦ SPEAKERS terminals
- ⑧ GND terminal

- ① XLR入力端子
- ② ユーロブロックコネクター入力端子
- ③ HPFスイッチ
- ④ GAINスイッチ
- ⑤ MODEスイッチ
- ⑥ MONITOR/REMOTE端子
- ⑦ SPEAKERS端子
- ⑧ アース用ネジ

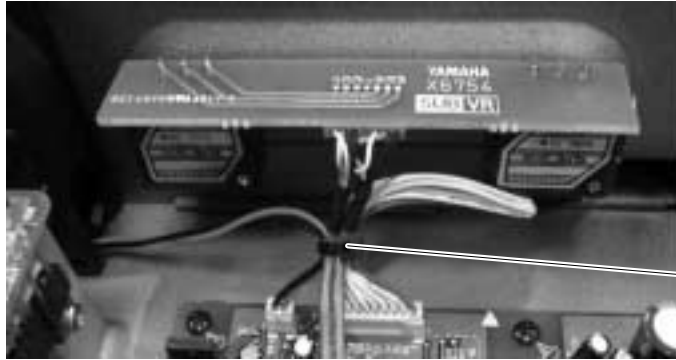
■ CIRCUIT BOARD LAYOUT (ユニットレイアウト)



● Whole Wiring Drawing (全体の結線図)



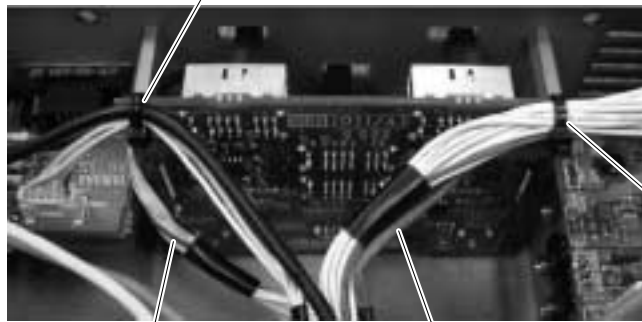
• Detail Drawing A (A部詳細)



Bundle by cord holder.
(インシュロックタイで束ねます。)
(WD359600, WF873000, Fan wiring)

• Detail Drawing B (B部詳細)

Bundle by cord holder. (インシュロックタイで束ねます。)
Need pass a hole of circuit board. (シートの穴に通します。)
(WD443300, WD361100)



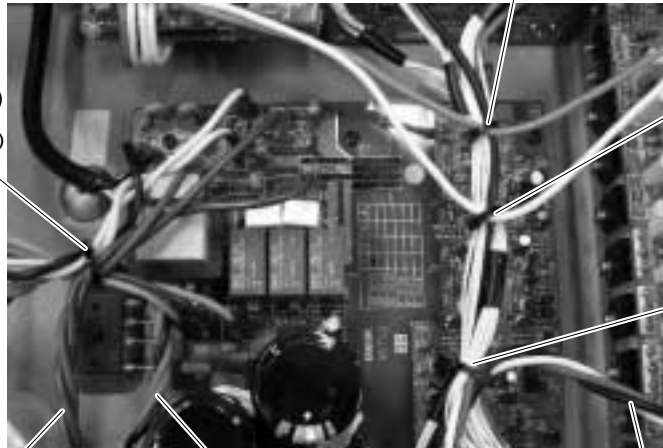
WG003400

WD359600

Bundle by cord holder.
(インシュロックタイで束ねます。)
Need pass a hole of circuit board.
(シートの穴に通します。)
(WD359600, WD361700)

• Detail Drawing C (C部詳細)

Bundle by cord holder.
(インシュロックタイで束ねます。)
(Transformer wiring)
(WD360600(W307, 308), WD360700, Transformer lead)
*Install W308 to XP3500 only.
(W308はXP3500のみに実装)



Bundle by cord holder. (インシュロックタイで束ねます。)
(WF443300, WD361100, WD361700, WD359600, WD362300)
*Locate WD362300 as far from IO 1/4 circuit board as possible.
(WD362300はできるだけIO 1/4シートから離してください。)

Bundle by cord holder.
(インシュロックタイで束ねます。)
(WF443300, WD361100, WD361700, WD359600, WD362400)
*Locate WD362400 as far from WD362300 as possible.
(WD362400はできるだけWD362300から離してください。)

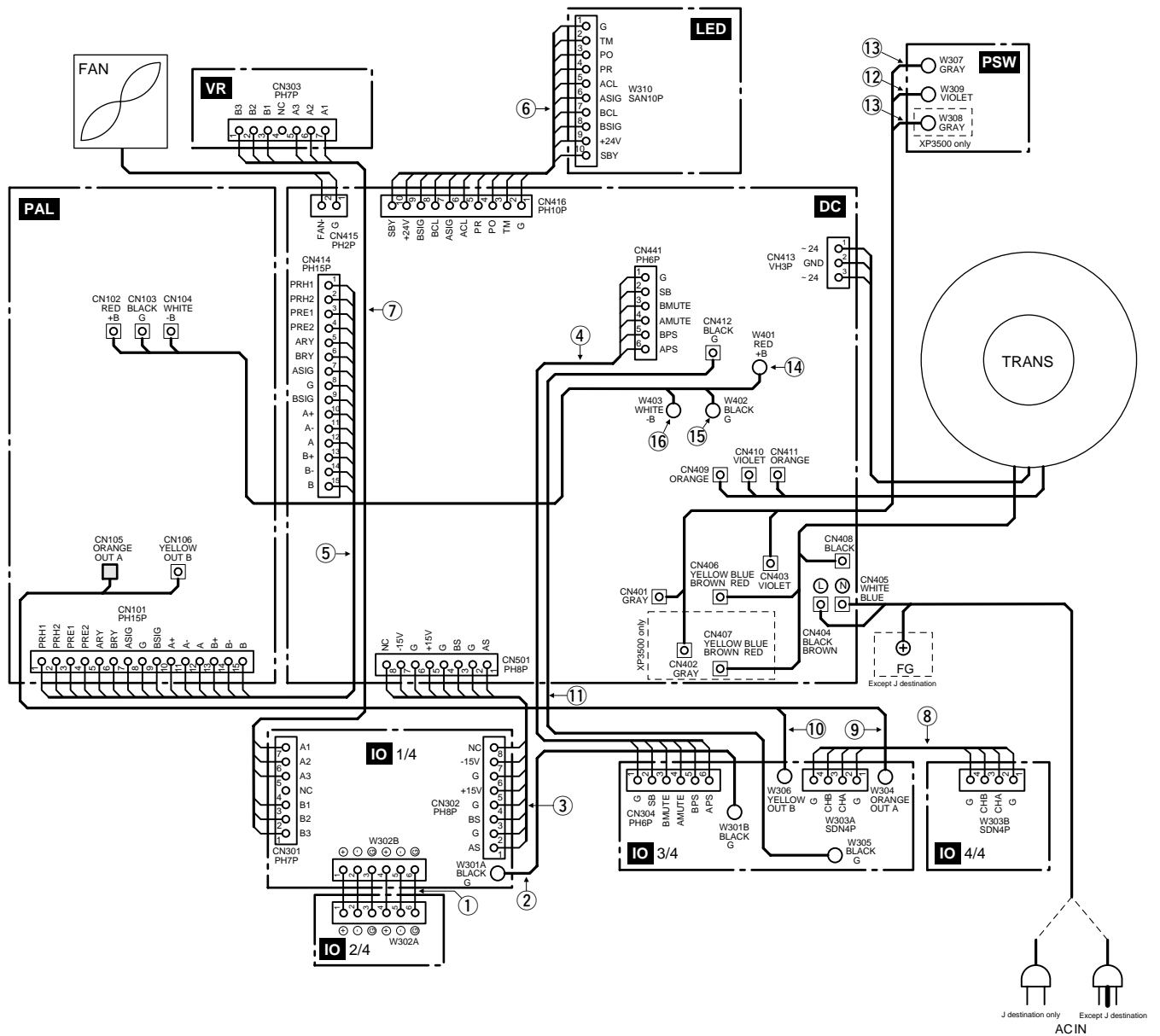
Bundle by cord holder.
(インシュロックタイで束ねます。)
(WF443300, WD361100, WD361700, WD359600, WF361900, WD362000, WD362100)

Need twist of 3 rotations or more.
(3回以上ねじります。)
(WD360600(W307, 308), WD360700)
*Install W308 to XP3500 only.
(W308はXP3500のみに実装)

Need twist of 5 rotations or more.
(5回以上ねじります。)
(Transformer wiring)

Need twist of 3 rotations or more.
(3回以上ねじります。)
(WD361900, WD362000, WD362100)

WIRING (結線図)



No.	REF. No.	Part No.	Destination	Connector Assembly
①	W302	WF444600	IO1/4-W302B IO2/4-W302A	HARNESS
②	W301	WD359800	IO1/4-W301A IO3/4-W301B	B&B
③	290	WG003400	IO1/4-CN302 DC-CN501	C&C 8P 100L
④	480	WF443300	DC-CN441 IO3/4-CN304	C&C 6P 320L
⑤	470	WD361700	DC-CN414 PAL-CN101	C&C 15P 320L
⑥	W310	WF873000	DC-CN416 LED-W310	B&C 10P 150L
⑦	200	WD359600	IO1/4-CN301 VR-CN303	ATT
⑧	W303	WD361200	IO3/4-W303A IO4/4-W303B	OUT
⑨	W304	WD362300	PAL-CN105 IO3/4-W304	B&C 270L
⑩	W306	WD362400	PAL-CN106 IO3/4-W306	B&C 270L
⑪	W305	WD361100	DC-CN412 IO3/4-W305	B&C 350L
⑫	W309	WD360700	DC-CN403 PSW-W309	B&C 300L
⑬	W307	WD360600	DC-CN401 PSW-W307	B&C 330L
	W308 [*]	WD360600	DC-CN402 [*] PSW-W308 [*]	B&C 330L
⑭	W401	WD361900	DC-W401 PAL-CN102	B&C 280L
⑮	W402	WD362000	DC-W402 PAL-CN103	B&C 250L
⑯	W403	WD362100	DC-W403 PAL-CN104	B&C 220L

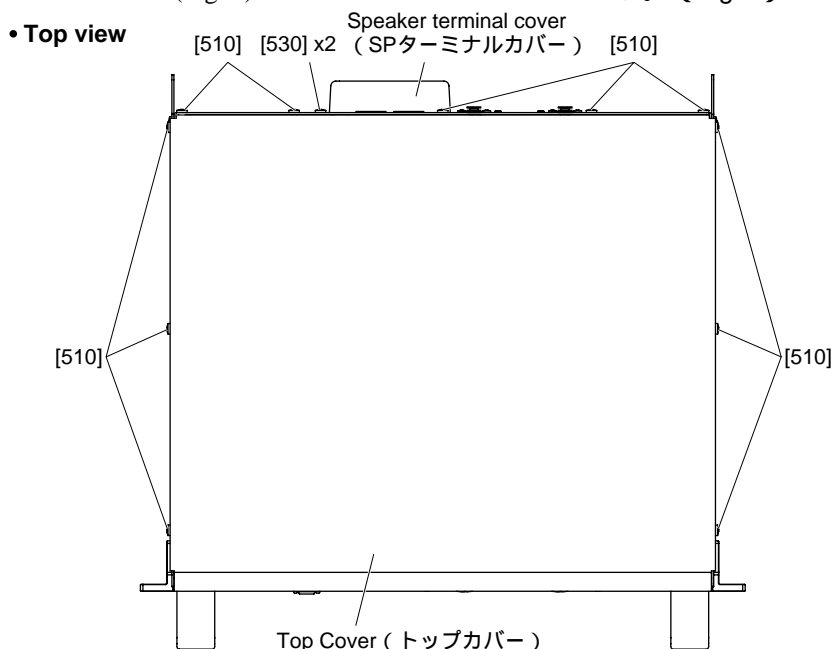
■ DISASSEMBLY PROCEDURE (分解手順)

1. Top Cover (Time Required: about 2 min)

- 1-1 Remove the eleven (11) screws marked [510]. The top cover can then be removed. (Fig. 1)

1. トップカバー (所要時間: 約2分)

- 1-1. [510]のネジ11本を外して、トップカバーを外します。(Fig. 1)



[510]: Bind Head Tapping Screw-B 4.0x8 MFZN2B3 (WE962000) Bタイト + BIND
[530]: Bind Head Tapping Screw-S 3.0x6 MFZN2B3 (WE877800) Sタイト + BIND

(Fig. 1)

2. DC Circuit Board

(Time Required: about 4 min)

- 2-1 Remove the top cover. (See procedure 1.)
2-2 Remove the nine (9) screws marked [90] and the screw marked [100], the DC circuit board can then be removed with the diode stack. (Fig. 2)
2-3 Remove the diode stack (D401) soldered to the DC circuit board. (Fig. 2)
* The diode stack is not part of the DC circuit board. When you replace the DC circuit board, you should remove the diode stack from the DC circuit board.

2. DCシート (所要時間: 約4分)

- 2-1. トップカバーを外します。(1項参照)
2-2. [90]のネジ9本と[100]のネジ1本を外して、ダイオードスタックと共にDCシートを外します。(Fig. 2)
2-3. DCシートに半田付けされているダイオードスタック(D401)を外します。(Fig. 2)
ダイオードスタックは、DCシートの構成部品ではありません。DCシートを交換する際は、DCシートからダイオードスタックを取り外して、新しいDCシートに取り付けてください。

3. Power Transformer

(Time Required: about 2 min)

- 3-1 Remove the top cover. (See procedure 1.)
3-2 Remove the hexagonal nut marked [A], the washer marked [B] and the washer marked [C]. The power transformer can be removed. (Fig. 2)

3. 電源トランス (所要時間: 約2分)

- 3-1. トップカバーを外します。(1項参照)
3-2. [A]の六角ナット1個を外し、[B]のパネ座金1個と[C]の平座金1枚を外して、電源トランスを外します。(Fig. 2)

4. IO 1/4 Circuit Board and IO 2/4 Circuit Board

(Time Required: about 4 min)

- 4-1 Remove the top cover. (See procedure 1.)
4-2 Remove the four (4) screws marked [310], the two (2) screws marked [330] and the two (2) screws marked [300]. The IO 1/4 circuit board and IO 2/4 circuit board can then be removed. (Fig. 2, 3)
* IO 1/4 circuit board and IO 2/4 circuit board are not supplied singly. To replace these circuit boards, take out the corresponding ones from the following sets of circuit board.
For XP3500: IO35 set of circuit boards (WF399800)
For XP2500: IO25 set of circuit boards (WF399900)
For XP1000: IO10 set of circuit boards (WF400000)

4. IO 1/4シートとIO 2/4シート (所要時間: 約4分)

- 4-1. トップカバーを外します。(1項参照)
4-2. [310]のネジ4本と[330]のネジ2本を外します。
[300]のネジ2本を外して、IO 1/4シートとIO 2/4シートを外します。(Fig. 2, 3)
IO 1/4シートとIO 2/4シート単体はサービス部品ではありません。シートを交換する場合は下記のシートから取り出して使用してください。
XP3500の場合: IO35シート(WF399800)
XP2500の場合: IO25シート(WF399900)
XP1000の場合: IO10シート(WF400000)

5. IO 3/4 Circuit Board and IO 4/4 Circuit Board (Time Required: about 4 min)

- 5-1 Remove the top cover. (See procedure 1.)
 5-2 Remove the two (2) screws marked [530], the speaker terminal cover can then be removed. (Fig. 1)
 5-3 Remove the four (4) screws marked [350], the two (2) hexagonal locking screws marked [360] and the two (2) screws marked [340]. The IO 3/4 circuit board and IO 4/4 circuit board can then be removed. (Fig. 2)

* IO 3/4 circuit board and IO 4/4 circuit board are not supplied singly. To replace these circuit boards, take out the corresponding ones from the following sets of circuit board.

For XP3500: IO35 set of circuit boards (WF399800)

For XP2500: IO25 set of circuit boards (WF399900)

For XP1000: IO10 set of circuit boards (WF400000)

5. IO 3/4シートとIO 4/4シート (所要時間: 約4分)

- 5-1. トップカバーを外します。(1項参照)
 5-2. [530]のネジ2本を外して、SPターミナルカバーを外します。(Fig. 1)

- 5-3. [350]のネジ4本と[360]の六角ロックネジ2本を外します。

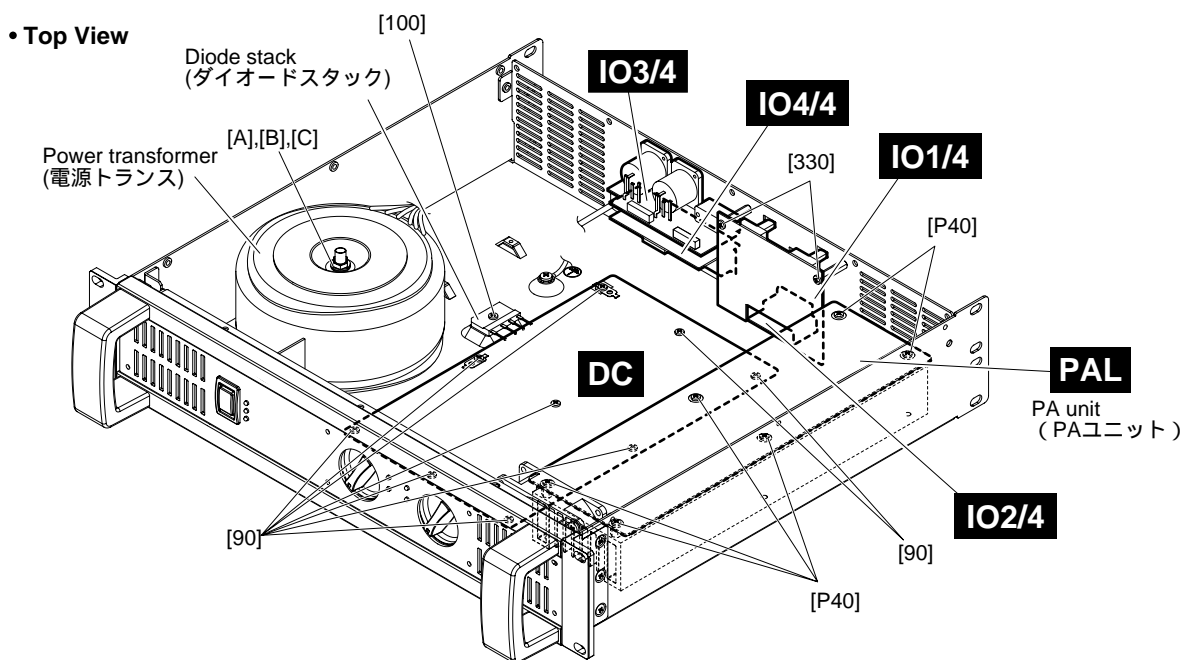
[340]のネジ2本を外して、IO 3/4シートとIO 4/4シートを外します。(Fig. 2)

IO 3/4シートとIO 4/4シート単体はサービス部品ではありません。シートを交換する場合は下記のシートから取り出して使用してください。

XP3500の場合: IO35シート(WF399800)

XP2500の場合: IO25シート(WF399900)

XP1000の場合: IO10シート(WF400000)



[90]: Bind Head Tapping Screw-S 3.0x6 MFZN2W3 (WE877900) Sタイト + BIND

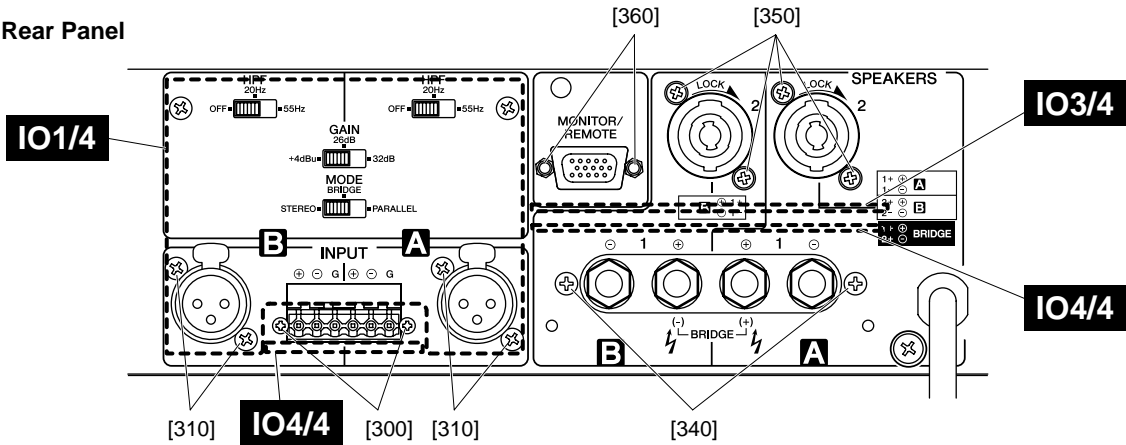
[100]: Bind Head Tapping Screw-S 3.0x8 MFZN2W3 (WE972100) Sタイト + BIND

[330]: Bind Head Tapping Screw-S 3.0x6 MFZN2W3 (WE877900) Sタイト + BIND

[P40]: Bind Head Tapping Screw-S 3.0x6 MFZN2W3 (WE877900) Sタイト + BIND

(Fig. 2)

• Rear Panel



- [300]: Pan Head Screw 2.6x6 MFZN2B3 (WE986400) 小ネジ + PAN
- [310]: Bonding Tapping Screw-B 3.0x10 MFZN2B3 (WE878000) Bタイト + BIND
- [340]: Bonding Tapping Screw-B 3.0x10 MFZN2B3 (WE878000) Bタイト + BIND
- [350]: Flat Head Tapping Screw-B 3.0x8 MFZN2B3 (WF266800) Bタイト + FLAT
- [360]: Hex. Locking Screw HFS-4S-B1W (V6706600) 六角ロックネジ

(Fig. 3)

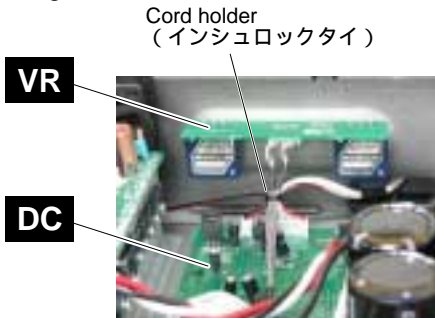
6. Front Panel Ass'y (所要時間: 約4分)

(Time Required: about 4 min)

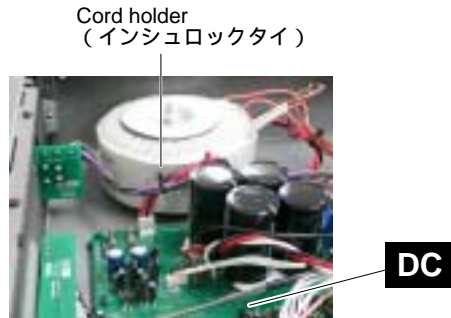
- 6-1 Remove the top cover. (See procedure 1.)
- 6-2 Remove the two (2) cord holders and disconnect the connector from the DC circuit board. (Photo. 1, 2)
- 6-3 Remove the six (6) screws marked [440] and six (6) screws marked [460]. The front panel assembly can then be removed with the left and right rack angle. (Photo. 3, 7)(Fig. 4, 5)

6. フロントパネルAss'y (所要時間: 約4分)

- 6-1. トップカバーを外します。(1項参照)
- 6-2. インシュロックタイ2箇所を外して、DCシートからコネクターを抜きます。(Photo. 1, 2)
- 6-3. [440]のネジ6本と[460]のネジ6本を外し、左右のラックアングルと共にフロントパネルAss'yを外します。(Photo. 3, 7)(Fig. 4, 5)

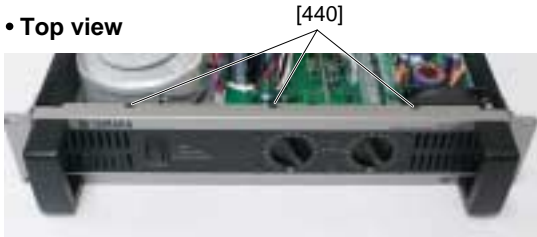


(Photo. 1)

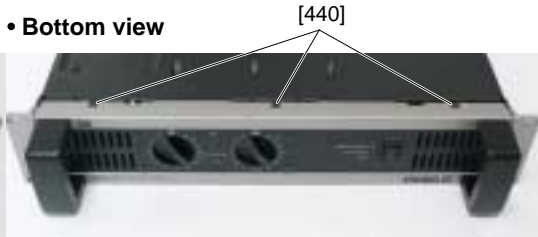


(Photo. 2)

• Top view



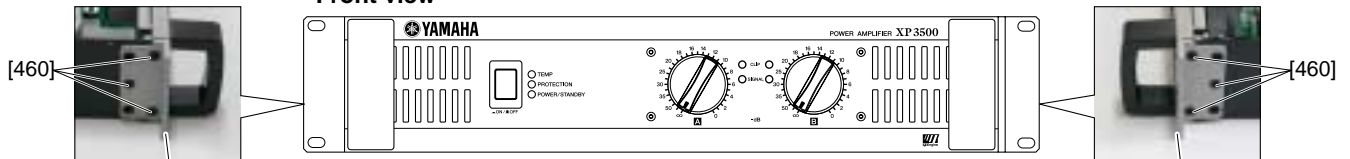
• Bottom view



- [440]: Bind Head Screw-B 4.0x8 MFZN2B3 (WE962000) 小ネジ + BIND

(Photo. 3)

• Front view



- [460]: Bind Head Screw-S 4.0x10 MFZN2B3 (WE980400) 小ネジ + BIND

(Fig. 4)

7. VR Circuit Board

(Time Required: about 4 min)

- 7-1 Remove the top cover. (See procedure 1.)
- 7-2 Remove the front panel assembly. (See procedure 6.)
- 7-3 Remove the two (2) attenuation knobs and the two (2) hexagonal nuts marked [D]. The VR circuit board can then be removed. (Photo. 4)

8. DC Fan (Time Required: about 4 min)

- 8-1 Remove the top cover. (See procedure 1.)
- 8-2 Remove the front panel assembly. (See procedure 6.)
- 8-3 Remove the two (2) screws marked [170] and the two (2) hexagonal nut. The DC fan can then be removed. (Photo. 5)

* Removal of VR circuit board facilitates the work.

9. LED Circuit Board (Time Required: about 4 min)

- 9-1 Remove the top cover. (See procedure 1.)
- 9-2 Remove the front panel assembly. (See procedure 6.)
- 9-3 Remove the two (2) screws marked [270]. The LED circuit board can then be removed. (Photo. 6)

7. VRシート (所要時間: 約4分)

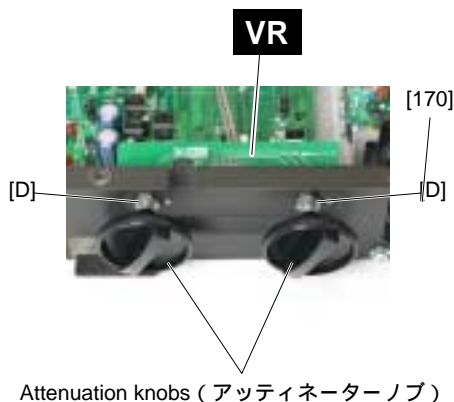
- 7-1. トップカバーを外します。(1項参照)
- 7-2. フロントパネルAss'yを外します。(6項参照)
- 7-3. アッテネーターノブ2個と[D]の六角ナット2個を外して、VRシートを外します。(Photo. 4)

8. DCファン (所要時間: 約4分)

- 8-1. トップカバーを外します。(1項参照)
- 8-2. フロントパネルAss'yを外します。(6項参照)
- 8-3. [170]のネジ2本と[180]のナット6角を外して、DCファンを外します。(Photo. 5)
VRシートを外すと楽に作業が行えます。

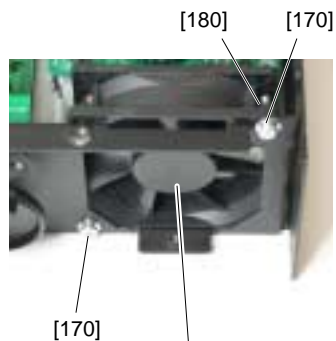
9. LEDシート (所要時間: 約4分)

- 9-1. トップカバーを外します。(1項参照)
- 9-2. フロントパネルAss'yを外します。(6項参照)
- 9-3. [270]のネジ2本を外して、LEDシートを外します。(Photo. 6)



Attenuation knobs (アッティネーターノブ)

(Photo. 4)

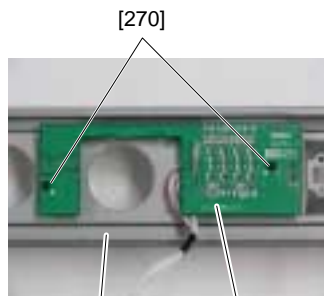


DC fan (DCファン)

[170]: Bind Head Screw-S 4.0x16 MFZN2W3 (WE98400) 小ネジ + BIND

[180]: Hexagonal Nut M4#1 (WG16920) ナット6角

(Photo. 5)



Front panel1 (フロントパネル1)

[270]: Bind Head Tapping Screw-S 3.0x6 MFZN2W3 (WE877900) Sタイト + BIND

(Photo. 6)

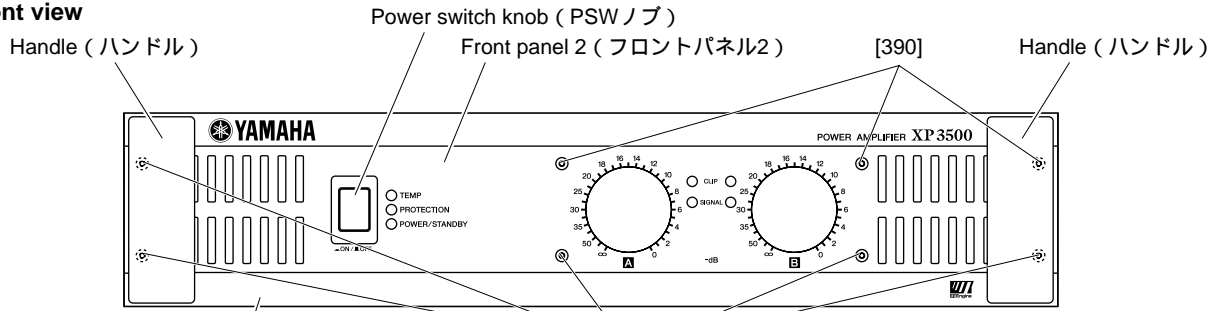
10. PSW Circuit Board (Time Required: about 6 min)

- 10-1 Remove the top cover. (See procedure 1.)
- 10-2 Remove the front panel assembly. (See procedure 6.)
- 10-3 Remove the four (4) screws marked [420]. The handles and the handle angles in left and right can then be removed. (Photo. 7)
- 10-4 Remove the eight (8) screws marked [390]. The front panel 2 can then be removed. (Fig. 5)
- 10-5 Remove the two (2) screws marked [230]. The PSW circuit board can then be removed. (Photo. 8, 9)

- 10. PSWシート (所要時間: 約6分)
- 10-1. トップカバーを外します。(1項参照)
- 10-2. フロントパネルAss'yを外します。(6項参照)
- 10-3. [420]のネジ4本を外して、左右のハンドルとハンドルアングルを外します。(Photo. 7)
- 10-4. [390]のネジ8本を外して、フロントパネル2を外します。(Fig. 5)
- 10-5. PSWノブ1個と[230]のネジ2本を外して、PSWシートを外します。(Photo. 8, 9)

Front Panel Assembly

• Front view



Front panel 2 (フロントパネル2)

(Fig. 5)

• Rear view



[390]: Hexagonal Socket Set Screw 4.0x16 MFZN2W3 (WF419400) Sタイト六角孔付き
 [420]: Bind Head Screw 5.0x16 MFZN2W3 (WG168300) 小ネジ + BIND

(Photo. 7)

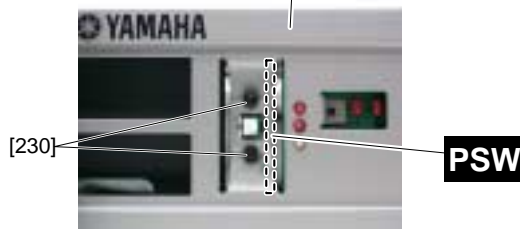
• Front view (フロントパネル1)



Power switch knob (PSWノブ)

(Photo. 8)

• Front view (フロントパネル1)



[230]: Bind Head Screw-S 3.0x6 MFZN2W3 (WE877900) Sタイト + BIND

(Photo. 9)

11. PA Unit (Time Required: about 3 min)

11-1 Remove the top cover. (See procedure 1.)

11-2 Remove the six (6) screws marked [40]. The PA unit can then be removed. (Photo. 10)

* Six (6) washers are fitted over the screws [40] between the main chassis and PA unit. Take care not to loose these washers in removal.

11. PAユニット (所要時間: 約3分)

11-1. トップカバーを外します。(1項参照)

11-2. [40]のネジ6本を外して、PAユニットを外します。(Photo. 10)

メインシャーシとPAユニットの間にワッシャー6枚が[40]のネジを通して取り付けられていますので無くさないように注意してください。

12. PAL Circuit Board (Time Required: about 10 min)

12-1 Remove the top cover. (See procedure 1.)

12-2 Remove the PA unit. (See procedure 6.)

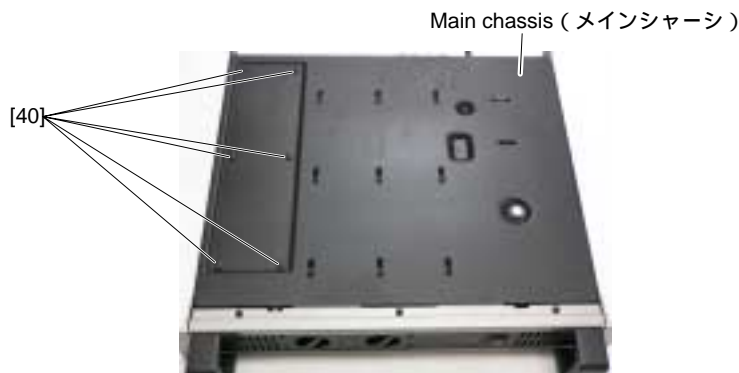
12-3 Remove the six (6) screws marked [P40] and the screws fixing the diode stack, diode, positive thermistor, transistor, FET and pair transistor marked [P70] (26 screws for XP1000, 30 screws for XP2500, 36 screws for XP3500). The PAL circuit board can then be removed. (Fig. 2, 6)

12. PALシート (所要時間: 約10分)

12-1. トップカバーを外します。(1項参照)

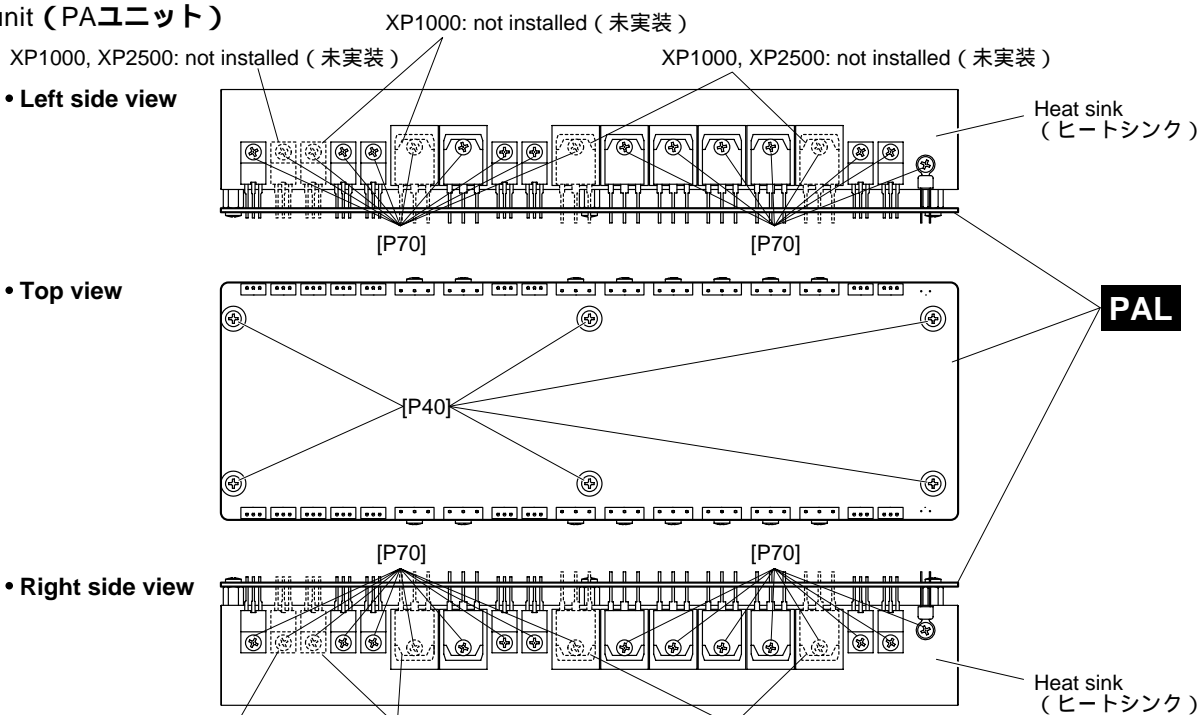
12-2. PAユニットを外します。(6項参照)

12-3. [P40]のネジ6本とダイオードスタック、ダイオード、ポジスタ、トランジスタ、FET、ペアトランジスタを止めている[P70]のネジ (XP1000: 26本、XP2500: 30本、XP3500: 36本)を外して、PALシートを外します。(Fig. 2, 6)



[40]: Bind Head Tapping Screw-B 4.0x8 MFZN2B3 (WE962000) Bタイト + BIND
(Photo. 10)

• PA unit (PAユニット)

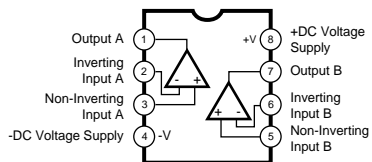
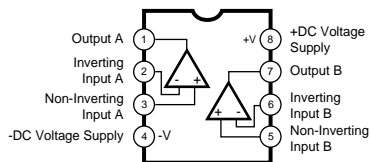


XP1000, XP2500: not installed (未実装) XP1000: not installed (未実装) XP1000, XP2500: not installed (未実装)
[P40]: Bind Head Tapping Screw-S 3.0x6 MFZN2W3 (WE877900) Sタイト + BIND
[P70]: Bind Head Tapping Screw-B 3.0x12 MFZN2W3 (WE877700) 小ネジ + BIND
(Fig. 6)

■ IC BLOCK DIAGRAM (IC ブロック図)

- **NJM2068D-D (XA987A00)**
Dual Operational Amplifier
DC: IC403,404

- **NJM2068MD-TE2 (X3505A00)**
Dual Operational Amplifier
P1000S IO1/4: IC301—303
P2500S/P3500S IO1/4: IC301—307



● CONTENTS (目次)

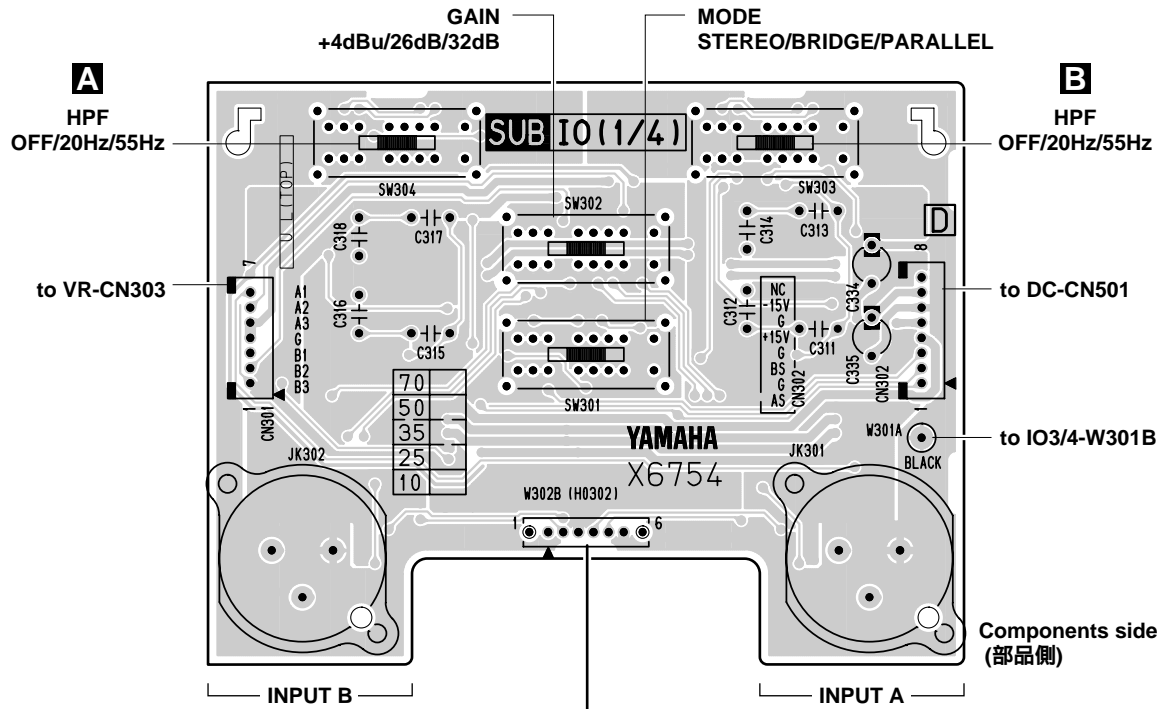
SUB (IO 1/4) Circuit Board (X6754D0)	17
SUB (IO 2/4) Circuit Board (X6754D0)	17
DC Circuit Board (X6753B0)	18/20
SUB (VR) Circuit Board (X6754D0)	18/19
PAL Circuit Board (X6751B0)	22
SUB (IO 3/4) Circuit Board (X6754D0)	24/25
SUB (IO 4/4) Circuit Board (X6754D0)	24/25
SUB (LED) Circuit Board (X6754D0)	24/25
SUB (PSW) Circuit Board (X6754D0)	24/25

Note: See parts list for details of circuit board component parts.

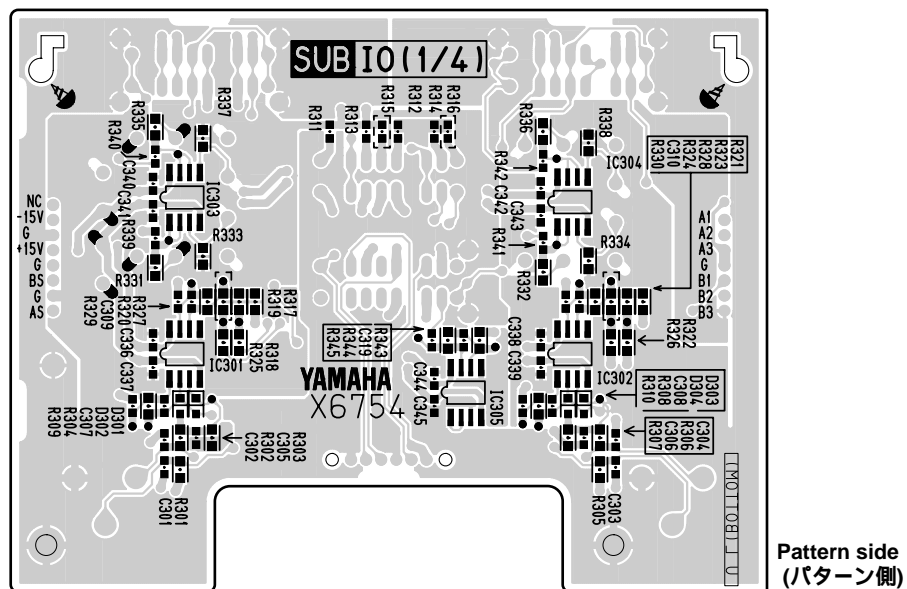
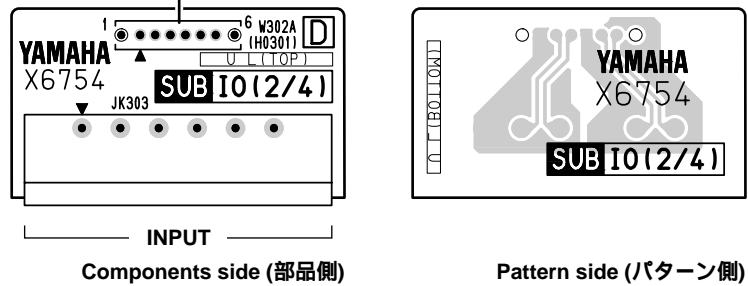
注：シートの部品詳細はパーツリストをご参照ください。

■ CIRCUIT BOARDS (シート基板図)

● SUB (IO 1/4) Circuit Board

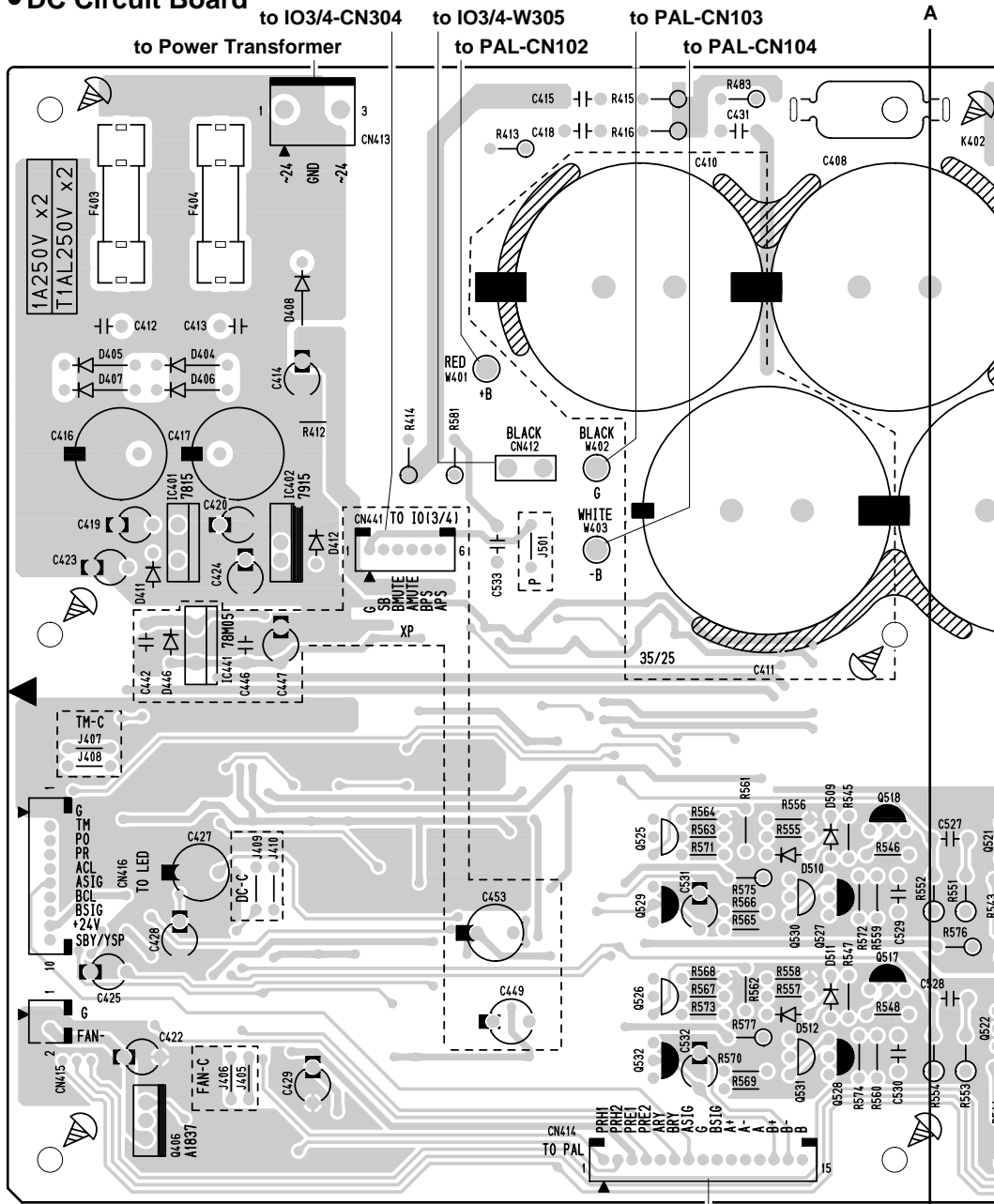


● SUB (IO 2/4) Circuit Board

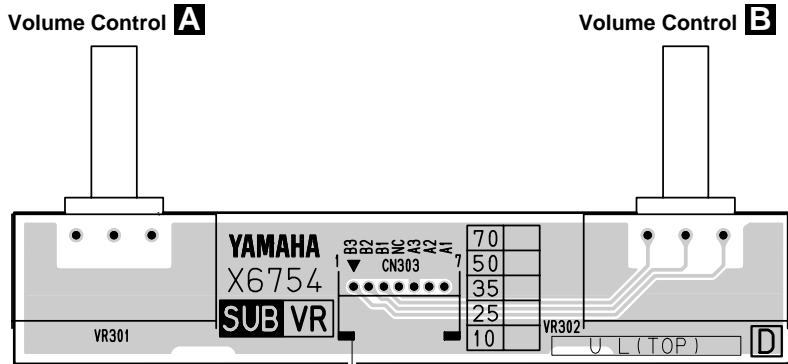


SUB (IO 1/4, 2/4): 2NA-WF39910-D010

● DC Circuit Board

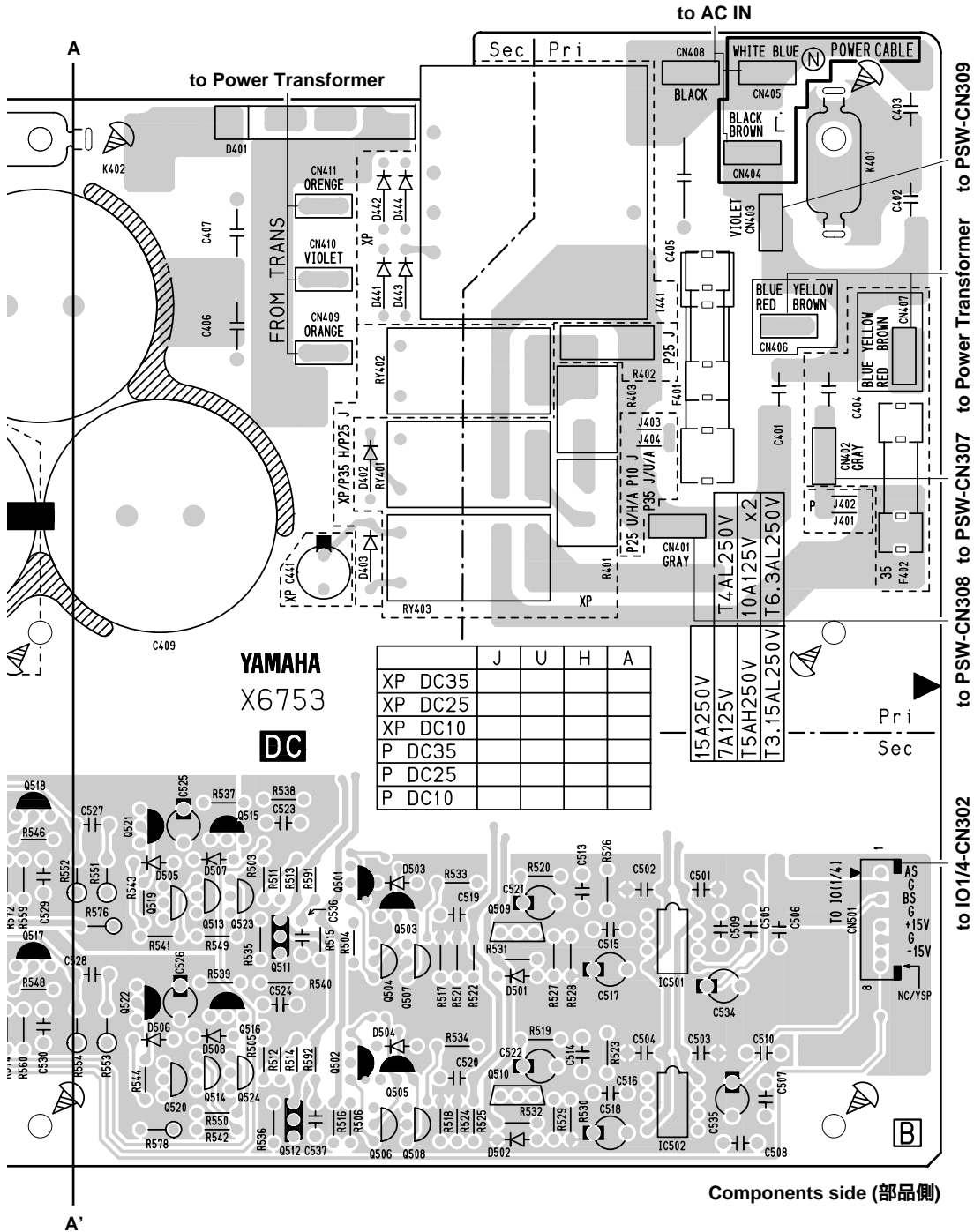


● SUB (VR) Circuit Board

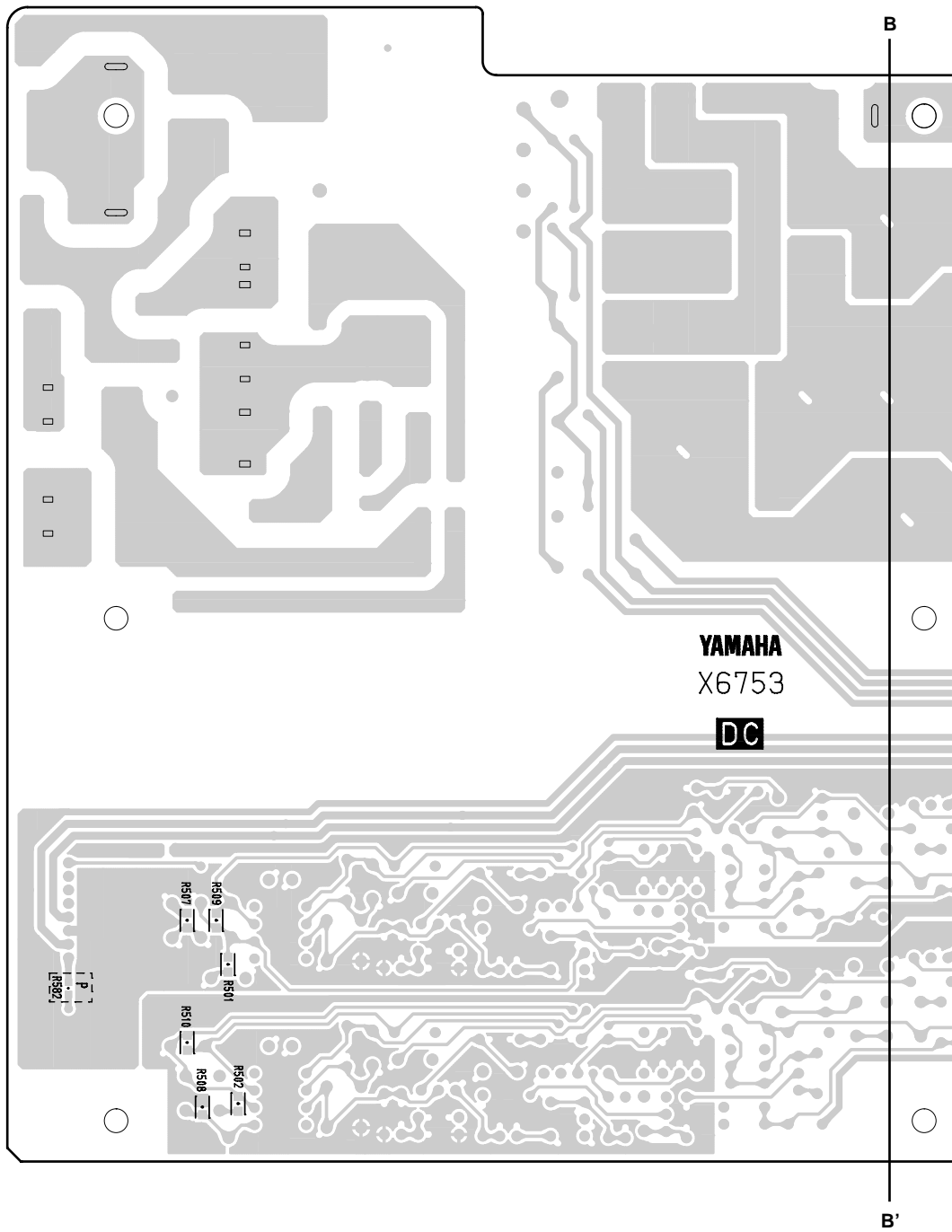


to IO1/4-CN301

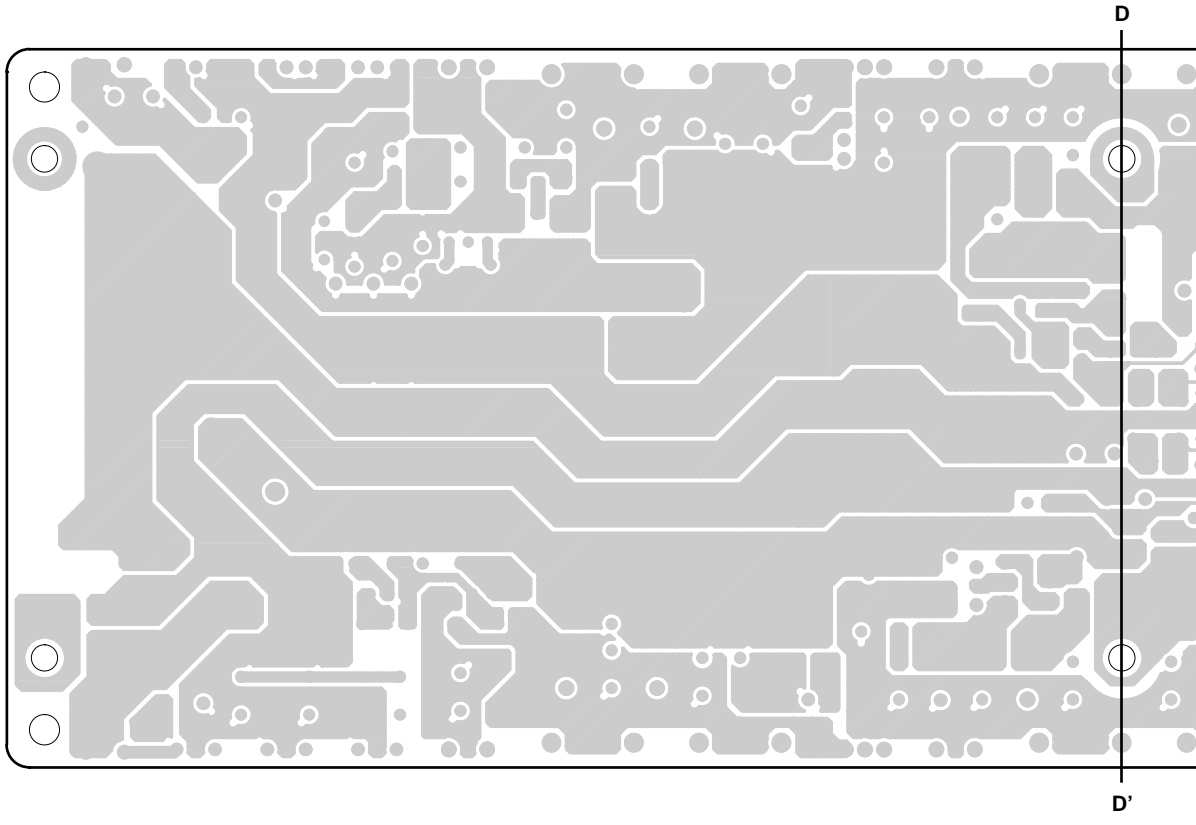
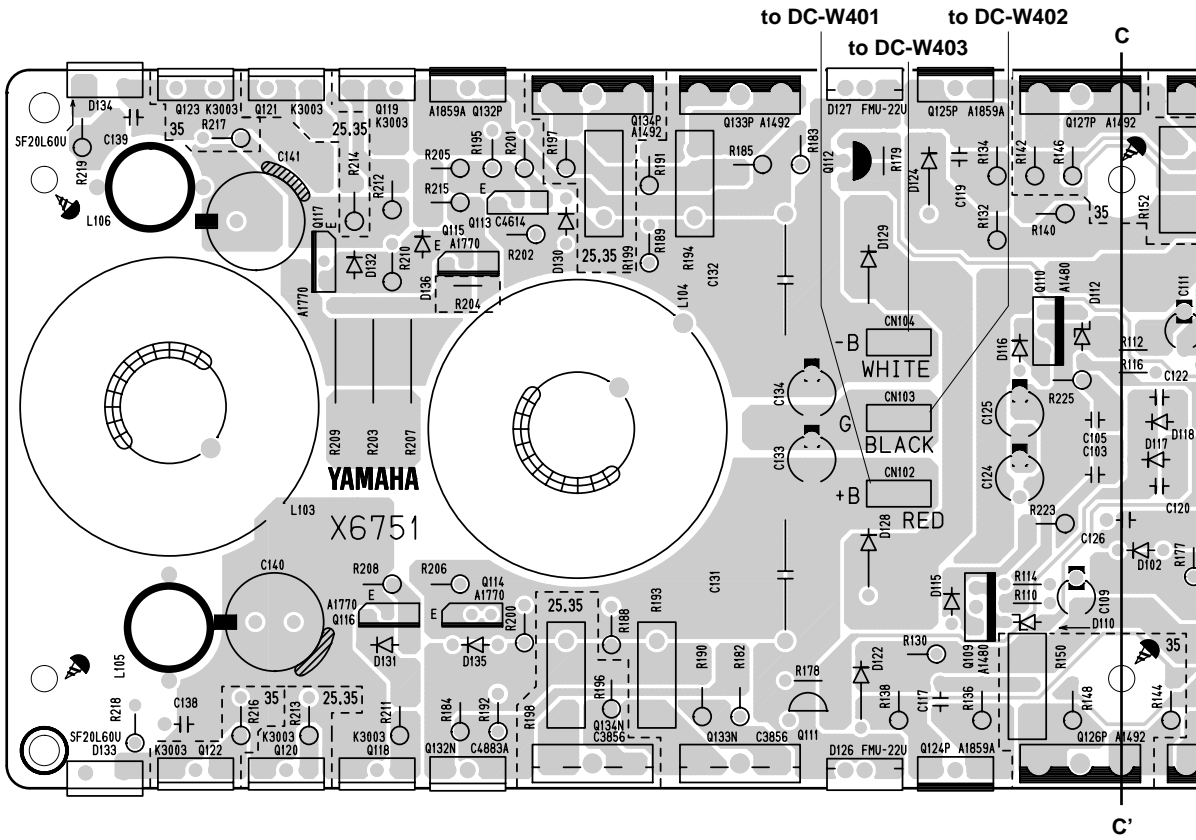
DC: 2NA-WF39790-D010
SUB (VR): 2NA-WF39910-D010

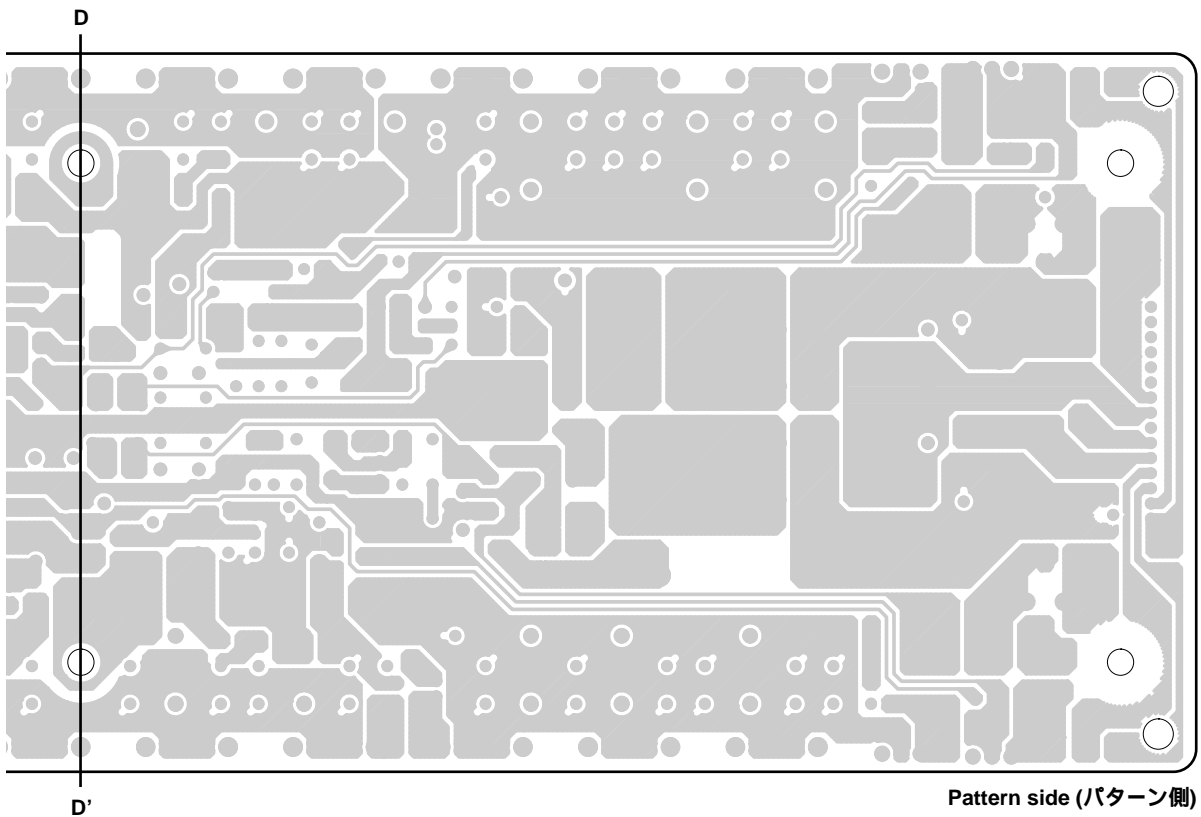
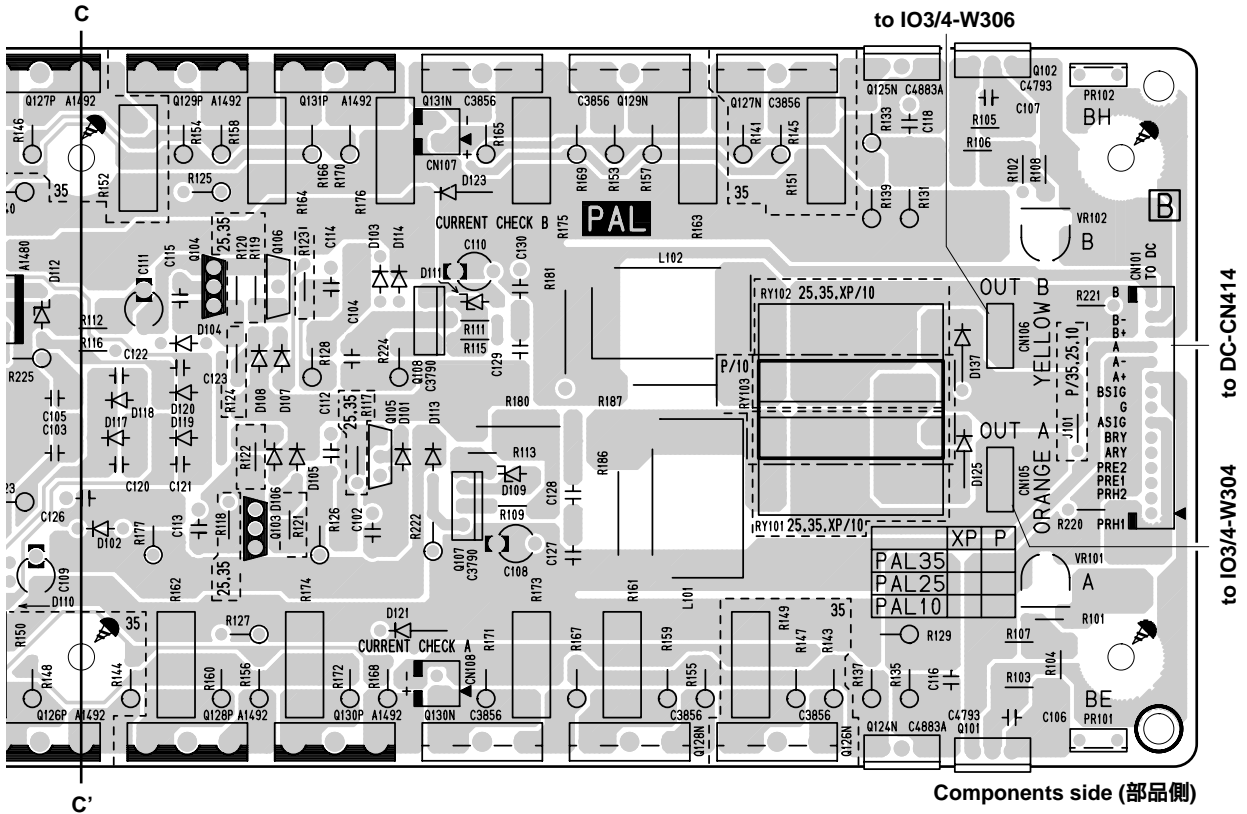


● DC Circuit Board



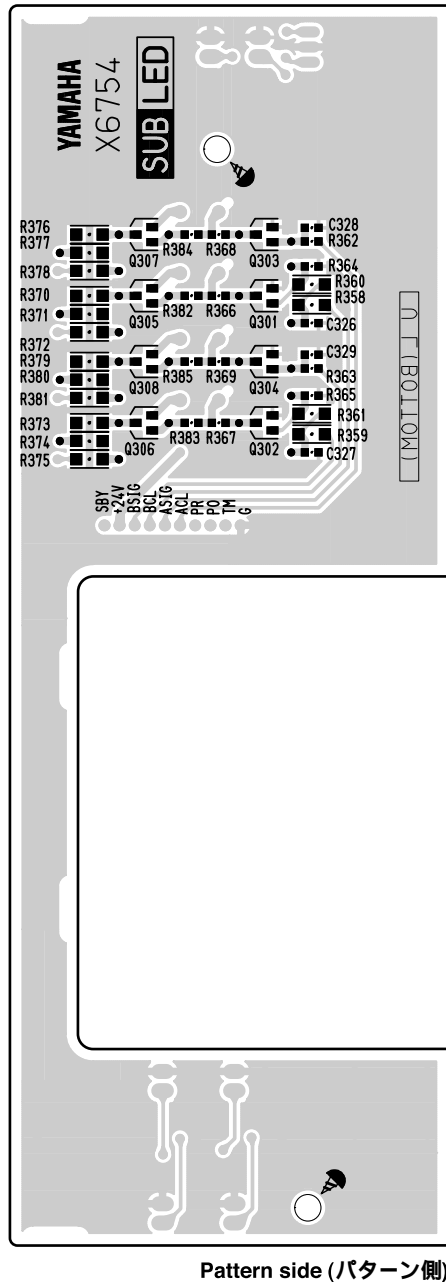
•PAL Circuit Board



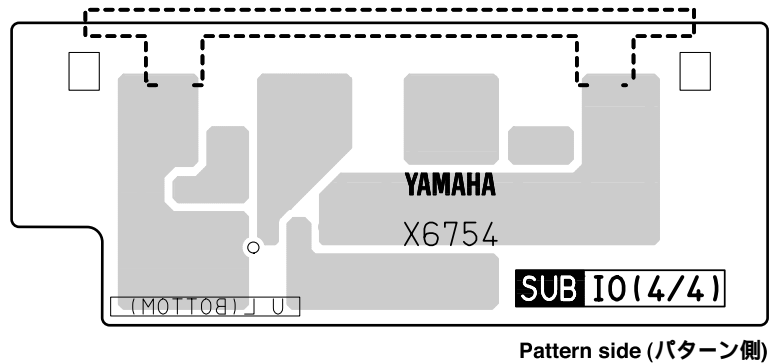


PAL: 2NA-WF39680-D010

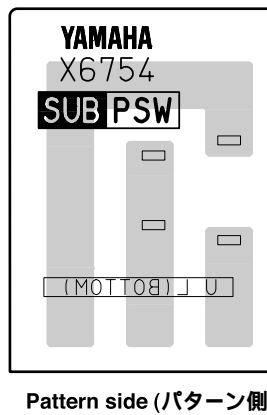
● SUB (LED) Circuit Board



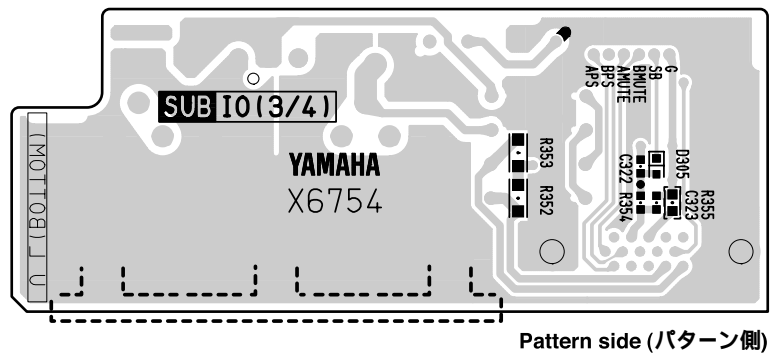
● SUB (IO 4/4) Circuit Board



● SUB (PSW) Circuit Board



● SUB (IO 3/4) Circuit Board



■ INSPECTION

Scope

This inspection specifications is applied to the power amplifier XP1000/XP2500/XP3500.

1. Power Source/Frequency

Destination	Voltage	Frequency
U, T	120 V $\pm 2\%$ ₀	60 Hz
H, B, K, O	230 V $\pm 2\%$ ₀	50 Hz
A	240 V $\pm 2\%$ ₀	50 Hz

2. Preparation for STEREO/PARALLEL mode

Attenuator	"0"(MAX) (Both Channel)
Input terminal	cannon type connector: 2PIN-HOT/3PIN-COLD/1PIN-GND
MODE switch	STEREO
GAIN switch	32dB
HPF switch	OFF (Both Cannel)
Load resistor	8 Ω +/- 1%

Unless otherwise specified, the operation shall be both channels drive.

Unless ohterwise specified, the input signal shall be high quality sine wave.

3. Inspection and Adjustment

3.1 POWER LED, PROTECTION LED and Power on muting time

POWER LED and PROTECTION LED shall light when the POWER switch is turned on.
2.5 +/- 1 seconds after the power switch is turned on, PROTECTION LED shall lights off.

3.2 Fan and TEMP LED

The fan shall operate when short circuit on the two jumper wires that mounted of DC circuit board marked "FAN-C".
The TEMP LED shall lights up when short circuit on the two jumper wires that marked "TM-C".

3.3 Idle current

Connect the input terminal to the GROUND and adjust VR101(channel A) and VR102(channel B) on the PA UNIT so that the DC voltage of Vb between the pin1 and pin2 of CN108(channel A) and the CN107(channel B) shall be 0.5 +/- 0.1mV.
After finishing all inspections, adjust the Vb again to 0.5 +/- 0.1mV.

3.4 DC Voltage of output terminal

Connect the input terminal to the GROUND and measure the DC voltage Vdc of the output terminal shall be 0 +/- 75mV.

3.5 Gain

3.5.1 Nominal Gain

The output voltage should be +22.0 +/- 0.5dBu when input signal is 1kHz, -10.0dBu.

3.5.2 GAIN switch

Set the Gain SW to 26dB.

With 1kHz -10dBu input signal, the output voltage shall be +16.0 +/- 0.5dBu.

Set the GAIN switch to +4dBu.

With 1kHz -10dBu input, the output voltage shall be as following table.

XP1000	XP2500	XP3500
+17.2 dBu +/-0.5 dBu	+21.2 dBu +/-0.5 dBu	+22.7 dBu +/-0.5 dBu

3.5.3 Attenuator

Set the input attenuator to -10dB.

With 1kHz -10dBu input signal, the output voltage shall be +12.0 +/- 3.0dB.

3.5.4 PARALLE MODE

Set the MODE switch to PARALLEL.

Apply 1kHz -10dBu signal to input terminal of channel A.

Input signal must not be applied to input terminal of channel B when PALLEL MODE.

At this time, the output voltages of both channels shall be +22.0 +/- 0.5dBu.

3.6 Frequency response

Input signals are each 20Hz, 1kHz and 20kHz, -10dBu. The output voltage shall be -0.5 +/- 0.5dB at 20Hz and 20kHz compared to the 1kHz.

Set HPF switch to 20Hz.

With 20Hz -10dBu input signal, output voltage shall be -3.0 +/- 2.0dB compared to the value with 1kHz -10 dBu input signal at HPF switch OFF.

Set HPF switch to 55Hz.

With 55Hz -10dBu input signal, output voltage shall be -3.0 +/- 2.0dB compared to the value with 1kHz -10 dBu input signal at HPF switch OFF.

3.7 Distortion Factor

Input signals are each 20Hz and 20kHz, the distortion shall be less than 0.1% when output level as follows.

This inspection should have been finished within 30 seconds.

XP1000	XP2500	XP3500
28.29 V (100 W + 100 W)	44.73 V (250 W + 250 W)	52.92 V (350 W + 350 W)

3.8 Cross talk

Input signal is 1kHz to the channel A, and connect between the input terminals of channel B (2pin-hot and 3pin-cold) by 600 ohms. Set the output level of channel A as following " Output level of the channel signal applied " . The output voltage of channel B shall be less than following " Output level of the channel terminated with 600 ohms " The conditions of channel A and channel B are replaced and inspected. Both the load resistor and the measurement instruments shall be connected to 5-way terminals (SP303). DIN AUDIO filter shall be used for the measurements.

	XP1000	XP2500	XP3500
Output level of the channel signal applied	28.3 dBu (50 W)	32.3 dBu (125 W)	33.7 dBu (175 W)
Output level of the channel terminated with 600 ohms	-41.7 dBu	-37.7 dBu	-36.3 dBu

3.9 Output Noise level

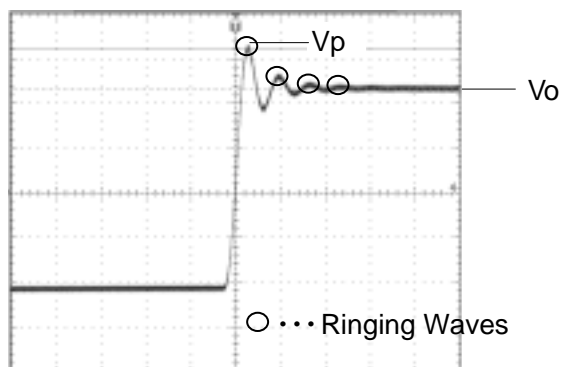
Connect between the input terminals (2pin-hot and 3pin-cold) by 600 ohms. The noise level of the output terminal shall be less than -65dBu. Set the input attenuator to MIN. The noise level shall be less than -70dBu. DIN AUDIO filter shall be used for the measurements.

3.10 Stability

Connect only capacitance of 0.01uF(Polyester film capacitor) to output terminal. The overshoot and the ringing should be as follows. Input signal is 1KHz, -10dBu square wave.

Overshoot $V_p/V_o < 2.5$

Ringing: within 7 waves and no oscillation



3.11 Protection circuit for DC fault

Disconnect of load resistor from output terminal. PROTECTION LED shall light up within 2 seconds when short circuit on the two jumper wires that mounted of PCB ASSY DC circuit marked "DC-C". The LED shall light off within 10 seconds after getting the short off.

3.12 Efficiency

- (1) The primary electrical power shall be 130 +/- 20W when input signal is 1kHz, -6.6dBu.
- (2) The primary electrical power shall be as follows when connect between the input terminals (2pin-hot and 3pin-cold) by 600 ohms.

	XP1000	XP2500	XP3500
	15 +/- 10W	20 +/- 10W	25 +/- 10W

3.13 VI limiter and compressor

Connect 1 ohm (+/- 5%) load resistor to output terminal. Apply to the input terminal at 1 kHz the signal of level as shown below. The output voltage shall be as follows and the distortion shall be less than 5%. Then, CLIP LED shall light up. **This inspection should have been finished within 30 seconds.** This test is individually executed in each channel.

	XP1000	XP2500	XP3500
Input signal level	-7.5 dBu	-6.5 dBu	-1.5 dBu
Output signal level	6.5 +/- 3 V	10 +/- 3 V	16 +/- 4 V

3.14 SIGNAL LED

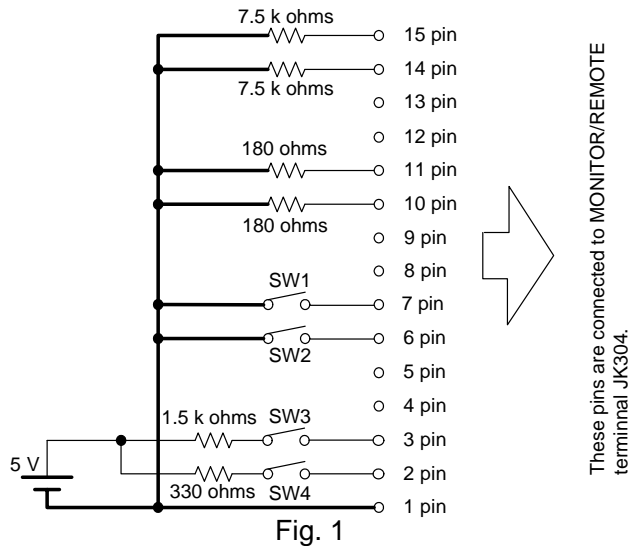
SIGNAL LED shall lights up when input signal is 1kHz, -23dBu. This test is individually executed in each channel.

2.15 MONITOR/REMOTE

2.15.1 Preparation

The inspection circuit described on Fig.1 is connected MONITOR/REMOTE terminal (JK304).

The tolerance of the connected resistor shall be 1% or less and the rated power is shall be 1/4W or more. The tolerance of the connected DC voltage shall be 1% or less.



2.15.2 Output Level

The output voltage of 14pin to 15pin of JK304 shall be -4.8 +/- 1dBu when input signal is 1kHz -10.0dBu.

2.15.3 Mute and Protection Status

1kHz -10dBu signal is applied to input terminal.
 The DC voltages of 10pin and 11pin of JK304 shall be +2 +/- 0.5V.
 When SW1 is turned on, the DC voltage of 11pin of JK304 shall be less than 0.5V and the output level of channel A output terminal shall be less than -30dBu.
 When SW2 is turned on, the DC voltage of 10pin of JK304 shall be less than 0.5V and the output level of channel B output terminal shall be less than -30dBu.

3.15.4 Model ID

When the SW3 is turned on, the DC output voltage of 3pin of JK304 shall be within the range specified in the "ID-V" of following table.

	XP1000	XP2500	XP3500
ID-V	2.97 +/- 0.06 V	2.73 +/- 0.06 V	2.50 +/- 0.06 V

3.15.5 Standby

When the SW4 is turned on, the POWER LED light up to orange and the primary electrical power shall be less than 5W.

4. Preparation For BRIDGE mode

Attenuator "0"(MAX) Effective only channel A.

Input terminal Cannon type connector: 2PIN-HOT/3PIN-COLD/1PIN-GND

MODE switch BRIDGE

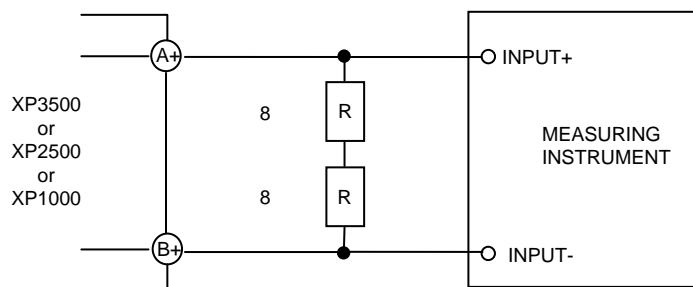
GAIN switch 32 dB

HPF switch OFF (Both Cannel)

Load resistor 8 ohms + 8 ohms +/- 1 %

For items of BRIGE mode, the input signal shall be applied only to input terminal of channel A. It must be applied to input terminal of channel B.

Connection for measuring: Measure the output at the point as shown below.



5. Inspection

5.1 Gain

The output voltage shall be +28.0 +/- 1.0 dBu when input signal is 1kHz, -10.0 dBu.

5.2 Frequency response

Input signals are each 20 Hz, 1kHz and 20 kHz, -10 dBu. The output voltage shall be -0.5 +/- 0.5 dB at 20 Hz and 20 kHz compared to the 1kHz.

5.3 Distortion Factor

Input signals are each 20 Hz and 20 kHz.

The distortion shall be less than 0.1% when output voltage as follows.

This inspection should have been finished within 30 seconds.

XP1000	XP2500	XP3500
56.58 V	89.46 V	105.84 V

5.4 Output Noise level

Connect between the input terminals (2pin-hot and 3pin-cold) by 600 ohms.

The noise level of output terminal shall be less than -60 dBu. Next, set the input attenuator to MIN.

The noise level shall be less than -65 dBu. DIN AUDIO filter shall be used for the measurements.

6. Factory Settings

Attenuator MIN (Both Cannel)

MODE switch STEREO

GAIN switch 32 dB

HPF switch OFF (Both Cannel)

■ 検査

適用範囲

パワーアンプXP1000/XP2500/XP3500について規定します。

1. 電源電圧/周波数

電圧	周波数
100 V $\pm 2\%$	50 Hz

2. STEREO/PARALLELモードの準備

Attenuator	"0"(MAX) (Both Channel)
Input terminal	cannon type connector: 2PIN-HOT/3PIN-COLD/1PIN-GND
MODE switch	STEREO
GAIN switch	32dB
HPF switch	OFF (Both Channel)
Load resistor	8 $\pm 1\%$

特に指定の無い場合、両チャンネル駆動とします。

特に指定の無い場合、入力信号は高品位サイン波とします。

3. 検査及び調整

3.1 パワーオンミュージング時間及びPOWER LED, PROTECTION LED

電源投入時、POWER LEDとPROTECTION LEDが点灯します。

電源投入後、2.5 ± 1 秒にて、PROTECTION LEDが消灯します。

3.2 Fan及びTEMP LED

DCシートの"FAN-C"と書かれた枠内の2本のジャンパー線をショートした時、FANが回転することを確認します。

"TM-C"と書かれた枠内の2本のジャンパー線をショートした時、TEMP LEDが点灯することを確認します。

3.3 アイドリング電流

入力端子を接地して、PAユニットのVR101(Aチャンネル)とVR102(Bチャンネル)を調整し、CN108(Aチャンネル)とCN107(Bチャンネル)の1-2番端子間の直流電圧Vbを0.5 ± 0.1 mVとします。全検査終了後、再度Vbを0.5 ± 0.1 mVとなるように調整します。

3.4 出力端子、直流電圧

入力端子を接地し、出力端子の直流電圧Vdcを測定し、0 ± 75 mVであることを確認します。

3.5 利得

3.5.1 公称ゲイン

入力端子に1 kHz, -10.0 dBuの正弦波を入力した時、+22.0 ± 0.5 dBuの出力電圧を得ることを確認します。

3.5.2 GAINスイッチ

GAINスイッチを26 dBにセットします。

入力端子に1kHz, -10 dBuの正弦波を入力したとき、出力電圧が+16.0 ± 0.5 dBuであることを確認します。

GAINスイッチを+4 dBuにセットします。

入力端子に1 kHz, -10 dBuの正弦波を入力したとき、出力電圧が下表の値であることを確認します。

XP1000	XP2500	XP3500
+17.2 dBu	+21.2 dBu	+22.7 dBu
± 0.5 dBu	± 0.5 dBu	± 0.5 dBu

3.5.3 アッテネーター

アッテネーターを-10 dBのポジションに設定し、入力端子に1 kHz, -10.0 dBuの正弦波を入力した時、出力電圧が+12.0 ± 3.0 dB以内であることを確認します。

3.5.4 パラレルモード

MODEスイッチをPARALLELにセットします。

1 kHz, -10 dBuの正弦波をAチャンネルの入力端子に入力します。

PARALLELモードでは、Bチャンネルの入力端子に信号を入力しないでください。

このとき、両チャンネルの出力電圧が+22.0 ± 0.5 dBuであることを確認します。

3.6 周波数特性

20 Hz, 1 kHz, 20 kHz, -10 dBuの信号を入力した時、出力電圧が1 kHzでの出力電圧を基準に20 Hz, 20 kHzそれぞれにおいて-0.5 ± 0.5 dBであることを確認します。

HPFスイッチを20 Hzにセットします。

20 Hz, -10 dBuの信号を入力した時、出力電圧がHPFスイッチOFFで1 kHz, -10 dBuの入力を加えたときの出力電圧を基準に-3.0 ± 2.0 dB以内であることを確認します。

HPFスイッチを55 Hzにセットします。

55 Hz, -10 dBuの信号を入力した時、出力電圧がHPFスイッチOFFで1 kHz, -10 dBuの入力を加えたときの出力電圧を基準に-3.0 ± 2.0 dB以内であることを確認します。

3.7 歪率

入力端子に20Hz, 20kHzの信号を入力し下表の出力を得た時の歪率は0.1%以下であることを確認します。
この検査は、30秒以内に終了してください。

XP1000	XP2500	XP3500
28.29 V (100 W + 100 W)	44.73 V (250 W + 250 W)	52.92 V (350 W + 350 W)

3.8 チャンネルセパレーション

Aチャンネルに1kHzを入力し、Bチャンネルの入力端子間(2 pin-hotと3 pin-cold)を600 Ωで接続します。Aチャンネルの出力レベルを下表の“ Output level of the channel signal applied ” に示す値にセットします。このとき、Bチャンネルの出力レベルは、下表の“ Output level of the channel terminated with 600 ohms ” に示す値以下であることを確認します。次にAとBを入れ換えて検査してください。負荷抵抗、測定器ともに5-way端子に接続してください。測定にはDIN AUDIO filterを用いてください。

	XP1000	XP2500	XP3500
Output level of the channel signal applied	28.3 dBu (50 W)	32.3 dBu (125 W)	33.7 dBu (175 W)
Output level of the channel terminated with 600 ohms	-41.7 dBu	-37.7 dBu	-36.3 dBu

3.9 出力ノイズレベル

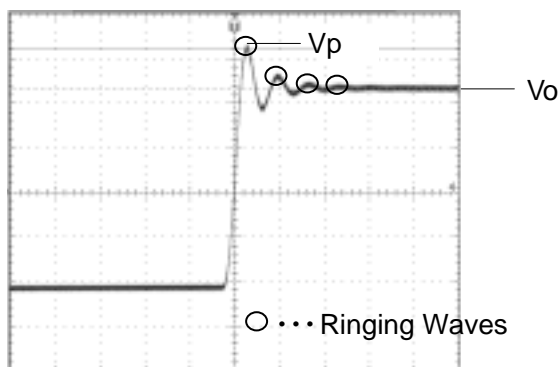
入力端子間(2 pin-hotと3 pin-cold)を600 Ωで接続する。出力端子に発生するノイズレベルを測定し、-65 dBu以下であることを確認します。アッテネーターをMINにし、-70 dBu以下であることを確認します。このテストの測定の際にはDIN AUDIO filterを用いてください。

3.10 安定度

負荷を純容量0.01 μF(フィルムコンデンサ)のみとした時、発振せずに以下の条件を満たします。入力信号は、1 KHz, -10 dBuの矩形波とします。

オーバーシュート $V_p/V_o < 2.5$

リングング 7波以内に収束し、発振などを生じないことを確認します。



3.11 プロテクション回路

出力端子から負荷抵抗の接続を外します。DCシートの"DC-C"と書かれた枠内の2本のジャンパー線をショートした時、2秒以内にPROTECTION LEDが点灯することを確認します。
 ショートをやめてから10秒以内にLEDが消灯することを確認します。

3.12 効率

(1) 1 kHz, -6.6 dBuの信号を入力して、一次電力を測定し130 +/- 20 W の範囲内であることを確認します。
 (2) 入力端子間(2 pin-hotと3 pin-cold)を600 Ω で接続して、一次電力を測定し下表の範囲内であることを確認します。

XP1000	XP2500	XP3500
15 +/- 10W	20 +/- 10W	25 +/- 10W

3.13 Vリミッター及びコンプ

出力端子に負荷として 1 Ω (±5%)を接続し1 kHzで下表のレベルの信号を入力端子に印加します。そのとき出力電圧は下表の範囲であることを確認します。また、歪率は5%以下であり、CLIP LEDが点灯することも確認します。
 このテストは各チャンネル別々に行ってください。
 この検査は、30秒以内に終了してください。

	XP1000	XP2500	XP3500
入力信号レベル	-7.5 dBu	-6.5 dBu	-1.5 dBu
出力信号レベル	6.5 +/- 3 V	10 +/- 3 V	16 +/- 4 V

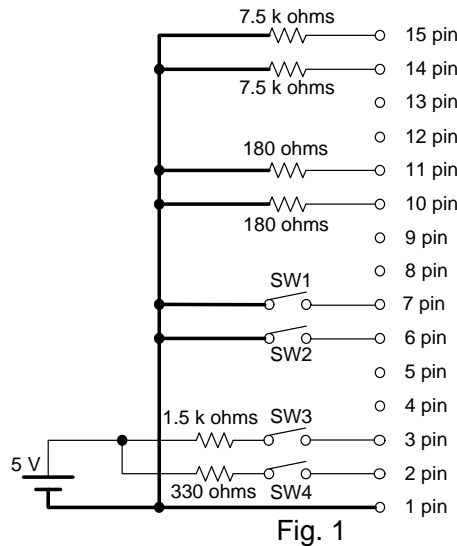
3.14 SIGNAL LED

1kHz, -23dBuの正弦波を入力し、SIGNAL LEDが点灯することを確認します。このテストは各チャンネル別々に行います。

3.15 モニター/リモート

3.15.1 準備

Fig. 1に示す検査回路をMINITOR/REMOTE端子(JK304)に接続します。接続する抵抗の誤差は1%以下、定格電力は1/4 W以上、直流電源電圧の誤差は1%以下のものを使用してください。



These pins are connected to MONITOR/REMOTE terminal JK304.

3.15.2 出力レベル

入力端子に1 kHz, -10 dBuの信号を入力したときJK304の14ピン及び15ピンの出力電圧が -4.8 ± 1.0 dBuであることを確認します。

3.15.3 ミュート及びプロテクションステイタス

入力端子に1 kHz, -10 dBuの信号を入力します。JK304の10pin及び11pinの直流電圧が +2 ± 0.5 Vであることを確認します。
 SW1をONしたとき、11 pinの直流電圧が0.5 V以下となり、A chの出力端子の電圧レベルが-30 dBu以下となることを確認します。
 SW2をONしたとき、10 pinの直流電圧が0.5 V以下となり、B chの出力端子の電圧レベルが-30 dBu以下となることを確認します。

3. 15. 4 モデルID

SW3をONしたとき、JK304の3ピンのDC出力電圧が下表の " ID-V " の範囲内にあることを確認します。

	XP1000	XP2500	XP3500
ID-V	2.97 +/- 0.06 V	2.73 +/- 0.06 V	2.50 +/- 0.06 V

3. 15. 5 スタンバイ

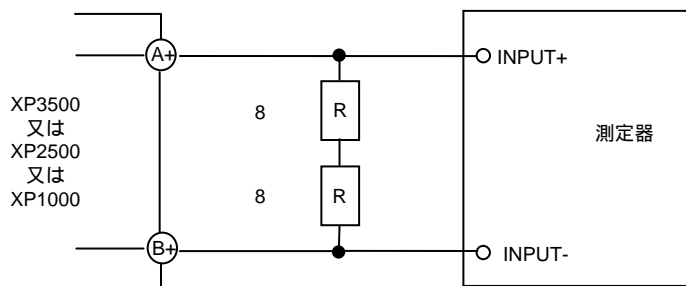
SW4をONしたとき、POWER LEDが橙色に点灯し、1次電力が5 W以下になることを確認します。

4. BRIDGEモードの準備

Attenuator	"0"(MAX) Effective only channel A.
Input terminal	Cannon type connector: 2PIN-HOT/3PIN-COLD/1PIN-GND
MODE switch	BRIDGE
GAIN switch	32dB
HPF switch	OFF (Both Cannel)
Load resistor	8 ohms + 8 ohms +/- 1%

BRIDGEモードのすべての検査項目において、入力信号はチャンネルAの入力端子にのみ入力します。チャンネルBの入力端子には信号を入力しないでください。

測定器の接続：下記のように接続し、出力を測定します。



5. 検査

5. 1 利得

1 kHz, -10.0 dBuの信号を入力した時、+28.0 ± 1.0 dBuの出力電圧を得ることを確認します。

5. 2 周波数特性

20 Hz, 1 kHz, 20 kHz, -10 dBの信号を入力した時、出力電圧が1 kHzでの出力電圧を基準に20 Hz, 20 kHzそれぞれにおいて -0.5 ± 0.5 dB以内であることを確認します。

5. 3 歪率

入力端子に20 Hz, 20 kHzの信号を入力し下表の出力電圧を得た時の歪率は0.1%以下であることを確認します。この検査は、30秒以内に終了してください。

XP1000	XP2500	XP3500
56.58 V	89.46 V	105.84 V

5. 4 出力ノイズレベル

入力端子間(2 pin-hotと3 pin-cold)を600 Ωで接続します。出力端子に発生するノイズレベルを測定し、-60 dBu以下であることを確認します。次にアッテネーターをMINにし、-65 dBu以下であることを確認します。このテストの測定の際にはDIN AUDIO filterを用いてください。

6. 出荷セッティング

Attenuator	MIN (Both Cannel)
MODE switch	STEREO
GAIN switch	32 dB
HPF switch	OFF (Both Cannel)

POWER AMPLIFIER

XP 1000/XP 2500/XP 3500

CIRCUIT DIAGRAM

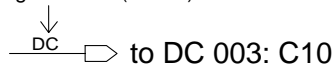
■ CONTENTS (目次)

IC & DIODE OUTSIDE FIGURE (外形図).....	2
BLOCK DIAGRAM (ブロックダイアグラム).....	3
OVERALL CIRCUIT DIAGRAM (総回路図)	
DM 1/2.....	4
DM 2/2.....	5
SUB.....	6
PAL.....	7

Notation for Circuit Diagrams (回路図表記上の注意)

1. How to identify inter-sheet connectors (シート間コネクタの読み方について)

Signal name (信号名)



The 3-digit number indicates the destination page.
(3桁の数字は信号の行先ページ数を示します。)

This indicates the location of the counter inter-sheet connector.
(The alphabet indicates horizontal direction and the number indicates vertical direction.)

対応するシート間コネクタのあるロケーションを示します。
(アルファベットが水平方向、数字が垂直方向)

■ Capacitor (コンデンサ)

- (セ): Ceramic Capacitor (セラミックコンデンサ)
- (マ): Mylar Capacitor (マイラーコンデンサ)
- (フ): Flame Proof C. Resistor (マイラーコンデンサ)
- (マイカ): Mica Capacitor (マイカコンデンサ)
- 規格認定コン: Capacitor (規格認定コンデンサ)

■ Resistor (抵抗)

- (フ): Flame Proof C. Resistor (マイラーコンデンサ)
- 酸金: Metal Oxide Filme Resistor (酸化金属被膜抵抗)

■ WARNING(安全上の注意)

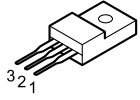
Components having special characteristics are marked \triangle and must be replaced with parts having specification equal to those originally installed.

\triangle 印の部品は、安全を維持するために重要な部品です。交換をする場合は、安全のため必ず指定の部品をご使用下さい。

Note : See parts list for details of circuit board component parts.

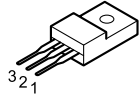
(注意: シートの部品詳細はパーツリストをご参照下さい。)

• **NJM7815FA** (XD853A00)
REGULATOR +15V
DC: IC401



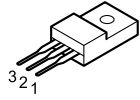
1 : OUTPUT
2 : COMMON
3 : INPUT

• **NJM7915FA** (XD854A00)
REGULATOR -15V
DC: IC402



1 : OUTPUT
2 : INPUT
3 : COMMON

• **NJM78M05FA** (XJ604A00)
REGULATOR +5V
DC: IC441



1 : OUTPUT
2 : COMMON
3 : INPUT

■ BLOCKDIAGRAM (ブロックダイアグラム) (XP1000/X2500/X3500)

INPUT LEVEL (Max Output Power 8ohms)

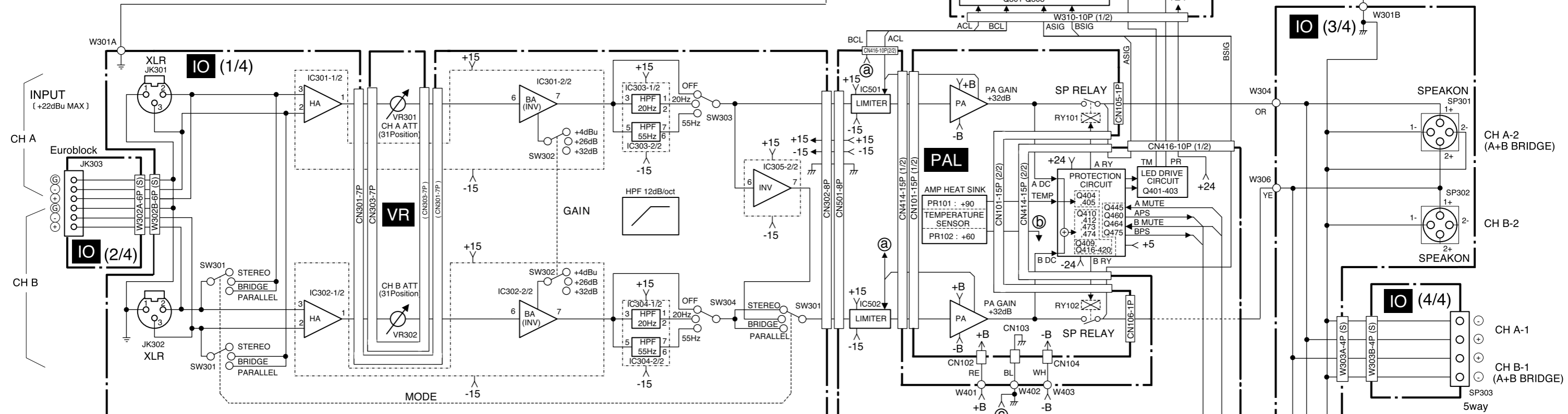
GAIN SW POSITION	INPUT LEVEL		
	XP3500	XP2500	XP1000
+4dBu	+4dBu	+4dBu	+4dBu
+26dB	+10.7dBu	+9.2dBu	+5.2dBu
+32dB	+4.7dBu	+3.2dBu	-0.8dBu

GAIN SW (Max Output Power 8ohms)

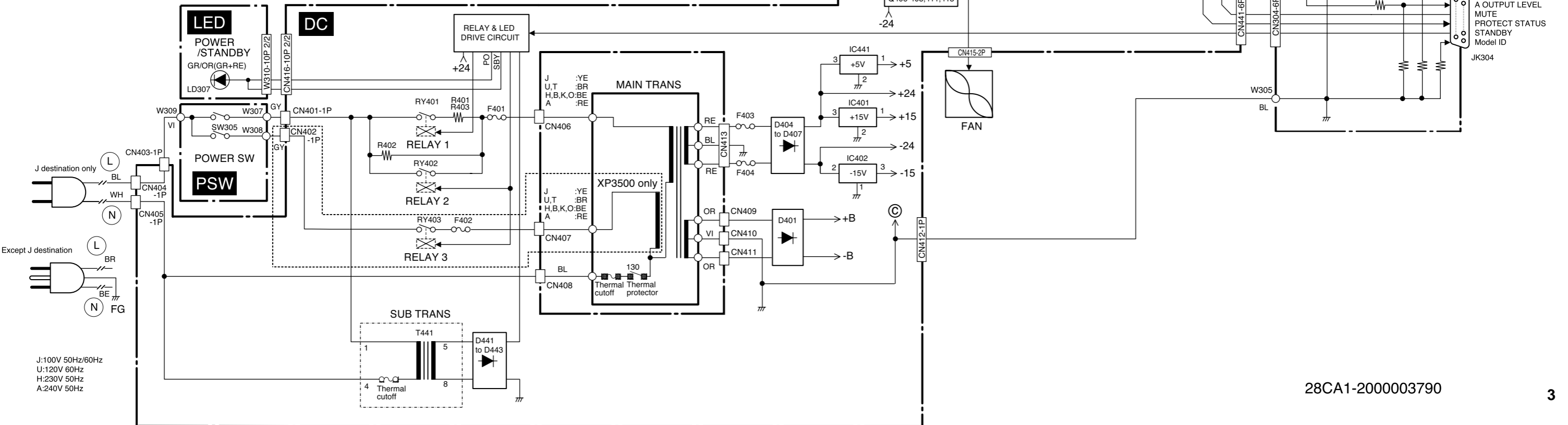
GAIN SW POSITION	AMP TOTAL GAIN	
	XP3500	XP2500
+4dBu	+32.7dBu	+31.2dBu
+26dB	+27.2dBu	+26.7dBu
+32dB	+32dB	+32dB

Max Output Power (1KHz THD+N 1%)

MODEL	8ohms		4ohms	
	390W x2	590W x2	390W x2	590W x2
XP3500	(J)110W x2	(U,T)135W x2	(H,B,K,O)125W x2	(A)120W x2
XP2500	(J)110W x2	(U,T)135W x2	(H,B,K,O)125W x2	(A)120W x2
XP1000	(J)110W x2	(U,T)135W x2	(H,B,K,O)125W x2	(A)120W x2



*1 (S): soldered
*2 BL:Black, WH:White, BR:Brown, BE:Blue, VI:Violet, GY:Gray, YE:Yellow, RE:Red, OR:Orange



J:100V 50Hz/60Hz
U:120V 60Hz
H:230V 50Hz
A:240V 50Hz

28CA1-2000003790

■ BLOCKDIAGRAM (ブロックダイアグラム) (XP1000/X2500/X3500)

1
2
3
4
5
6
7
8
9
10
11
12
13
14
15
16
17

■ DC 1/2, PSW CIRCUIT BOARD (DC1/2、PSW回路図) (XP1000/XP2500/XP3500)

XP1000/XP2500/XP3500

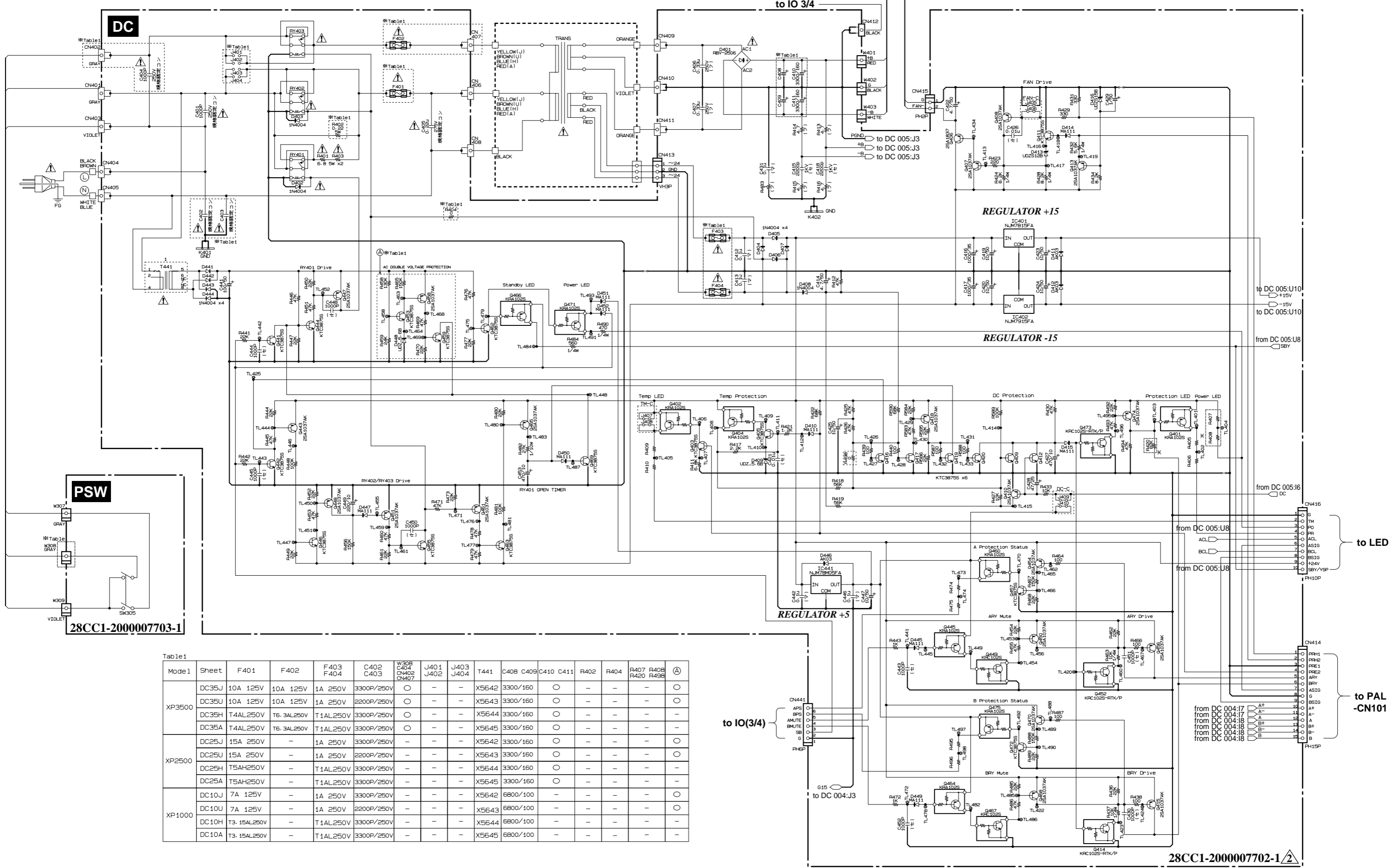
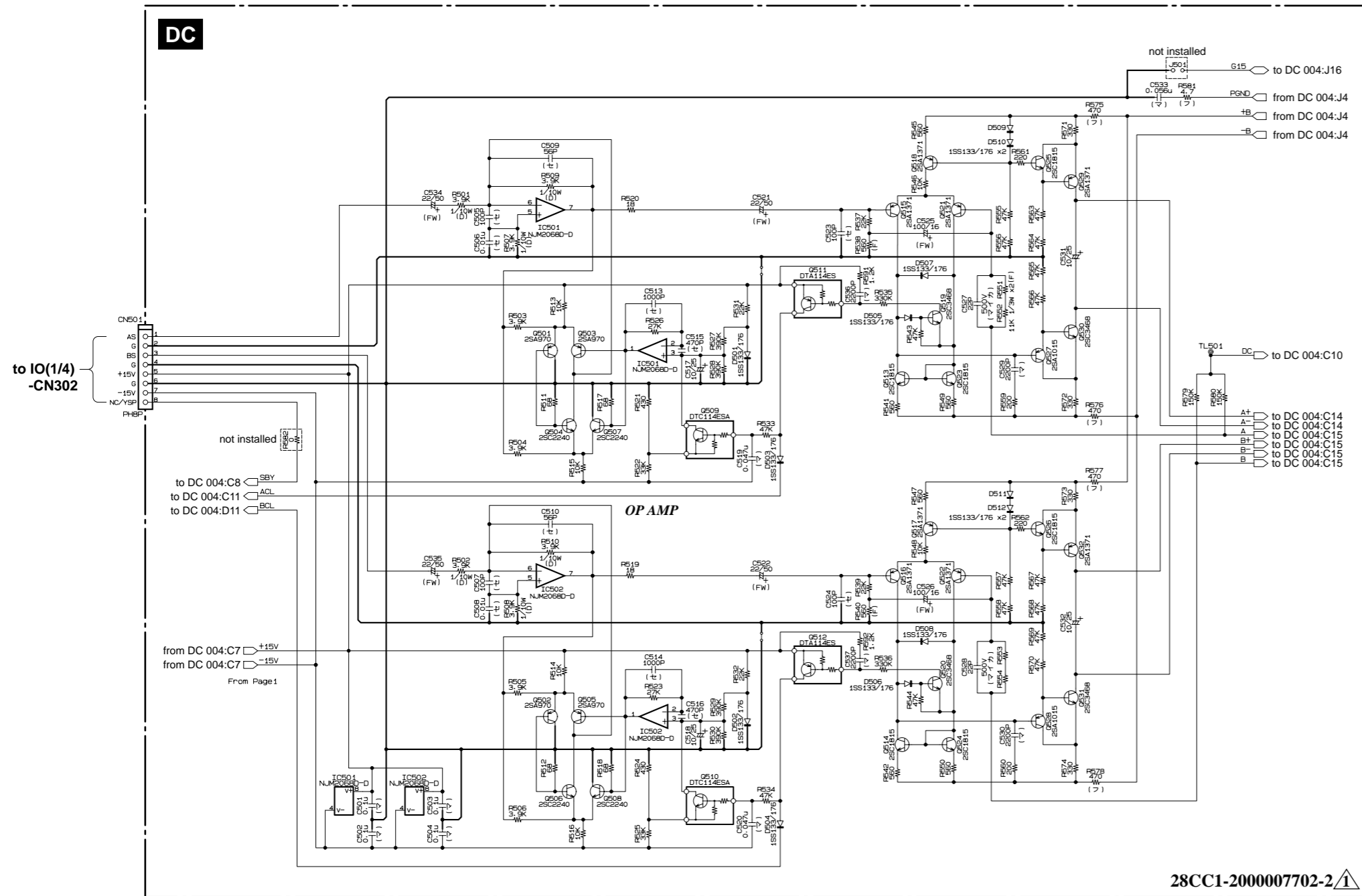


Table1

Model	Sheet	F401	F402	F403 F404	C402 C403	W30B C404 CN402 CN403	J401 J402	J403 J404	T441	C408 C409	C410 C411	R402	R404	R407 R408 R420 R49B	(A)
XP3500	DC35J	10A 125V	10A 125V	1A 250V	3300P/250V	○	-	-	X5642	3300/160	○	-	-	-	○
	DC35U	10A 125V	10A 125V	1A 250V	2200P/250V	○	-	-	X5643	3300/160	○	-	-	-	○
	DC35H	T4AL250V	T6. 3AL250V	T1AL250V	3300P/250V	○	-	-	X5644	3300/160	○	-	-	-	○
XP2500	DC25J	15A 250V	-	1A 250V	3300P/250V	-	-	-	X5642	3300/160	○	-	-	-	○
	DC25U	15A 250V	-	1A 250V	2200P/250V	-	-	-	X5643	3300/160	○	-	-	-	○
	DC25H	T5AH250V	-	T1AL250V	3300P/250V	-	-	-	X5644	3300/160	○	-	-	-	○
XP1000	DC10J	7A 125V	-	1A 250V	3300P/250V	-	-	-	X5642	6800/100	-	-	-	-	○
	DC10U	7A 125V	-	1A 250V	2200P/250V	-	-	-	X5643	6800/100	-	-	-	-	○
	DC10H	T3. 15AL250V	-	T1AL250V	3300P/250V	-	-	-	X5644	6800/100	-	-	-	-	○
	DC10A	T3. 15AL250V	-	T1AL250V	3300P/250V	-	-	-	X5645	6800/100	-	-	-	-	○

■ DC 2/2 CIRCUIT BOARD (DC2/2回路図) (XP1000/XP2500/XP3500)

XP1000/XP2500/XP3500

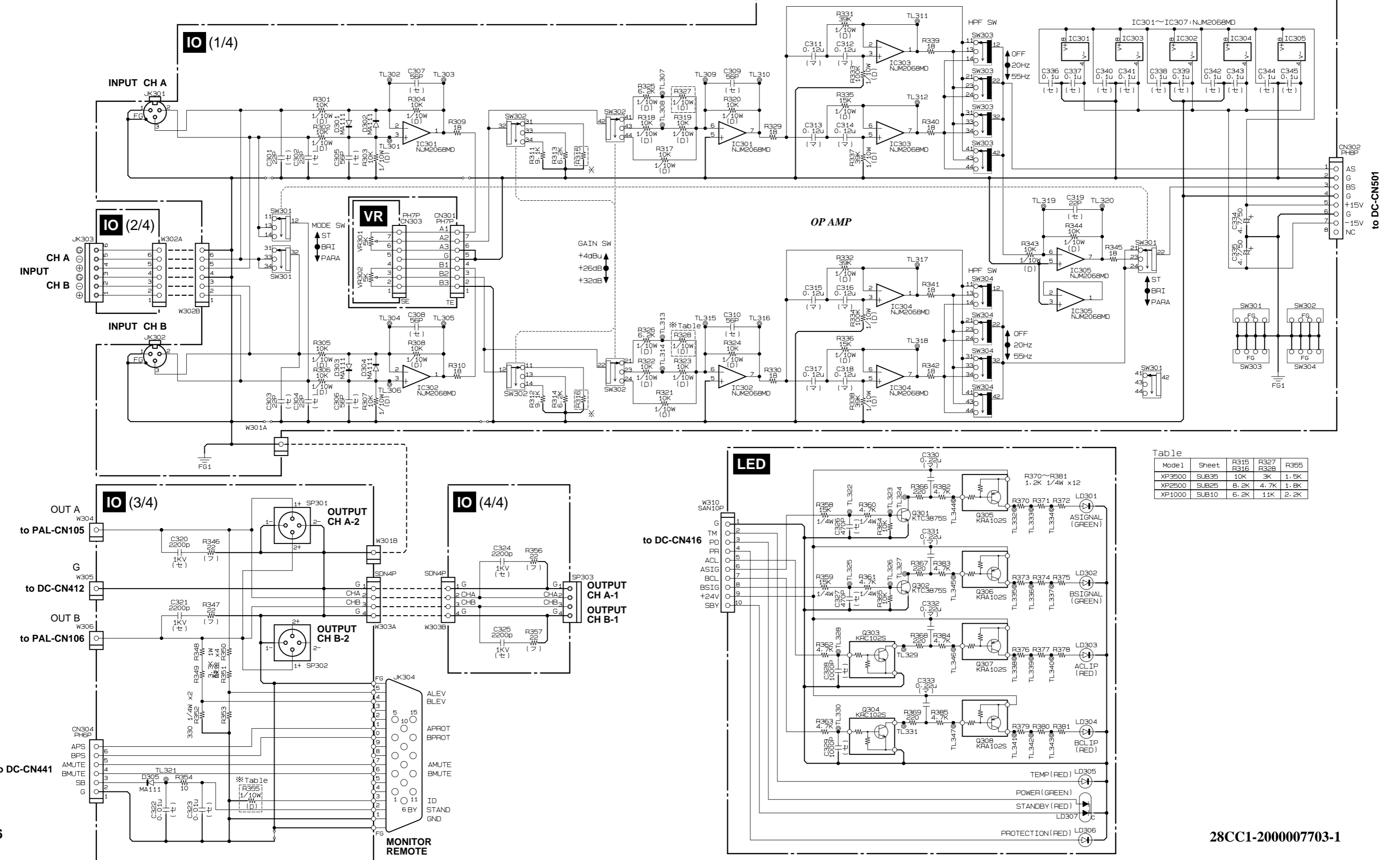


28CC1-200007702-2

1
2
3
4
5
6
7
8
9
10
11
12
13
14
15
16
17

■ SUB CIRCUIT BOARD (SUB回路図) (XP1000/XP2500/XP3500)

XP1000/XP2500/XP3500



Table

Mode1	Sheet	R315 R316	R327 R328	R355
XP3500	SUB35	10K	3K	1.5K
XP2500	SUB25	8.2K	4.7K	1.8K
XP1000	SUB10	6.2K	11K	2.2K

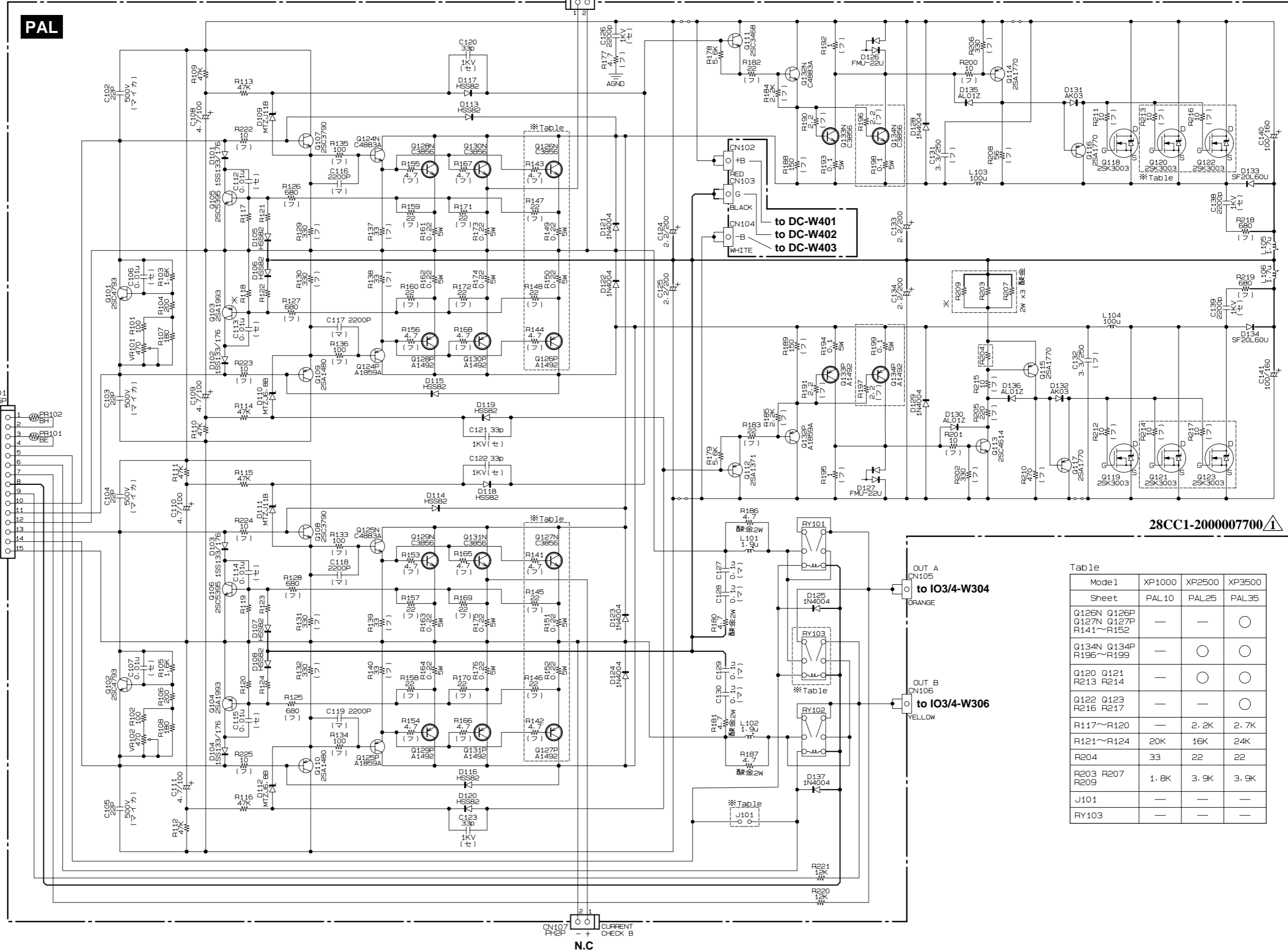
■ SUB CIRCUIT BOARD (SUB回路図) (XP1000/XP2500/XP3500)

28CC1-200007703-1

■ PAL CIRCUIT BOARD (PAL回路図) (XP1000/XP2500/XP3500)

XP1000/XP2500/XP3500

to DC-CN414



Table

Model	XP1000	XP2500	XP3500
Sheet	PAL10	PAL25	PAL35
Q125N Q126P Q127N Q127P R141~R152	—	—	○
Q134N Q134P R196~R199	—	○	○
Q120 Q121 R213 R214	—	○	○
Q122 Q123 R216 R217	—	—	○
R117~R120	—	2.2K	2.7K
R121~R124	20K	16K	24K
R204	33	22	22
R203 R207 R209	1.8K	3.9K	3.9K
J101	—	—	—
RY103	—	—	—

1
2
3
4
5
6
7
8
9
10
11
12
13
14
15
16
17

POWER AMPLIFIER

XP 1000/XP 2500/XP 3500

PARTS LIST

■ CONTENTS (目次)

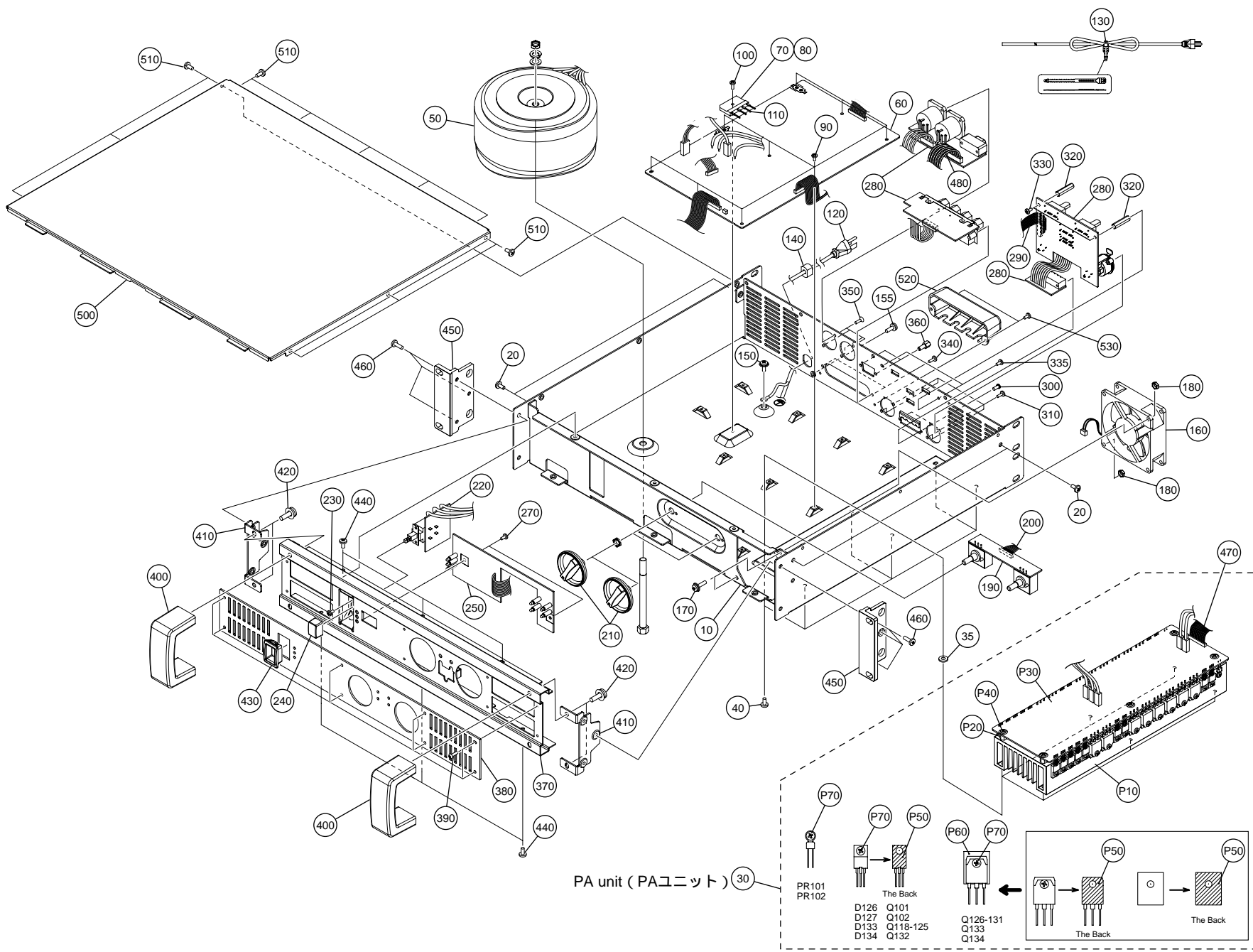
OVERALL ASSEMBLY (総組立).....	2
ELECTRICAL PARTS (電気部品).....	7-17

Notes: DESTINATION ABBREVIATIONS

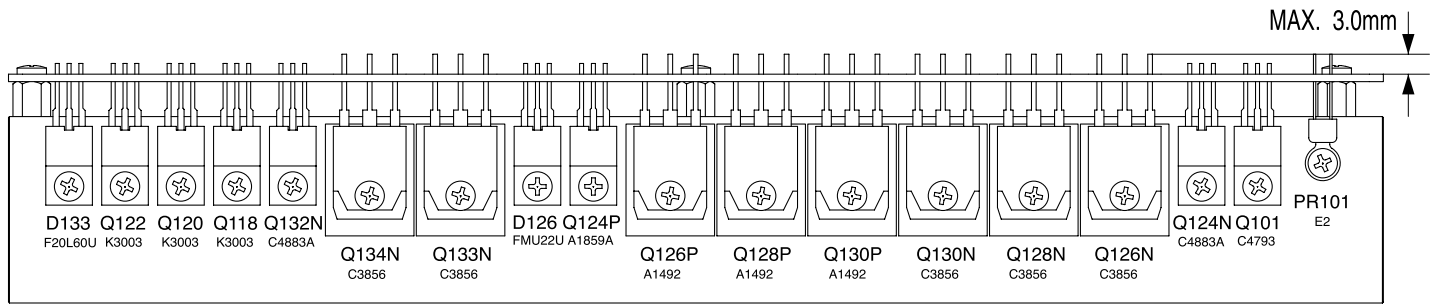
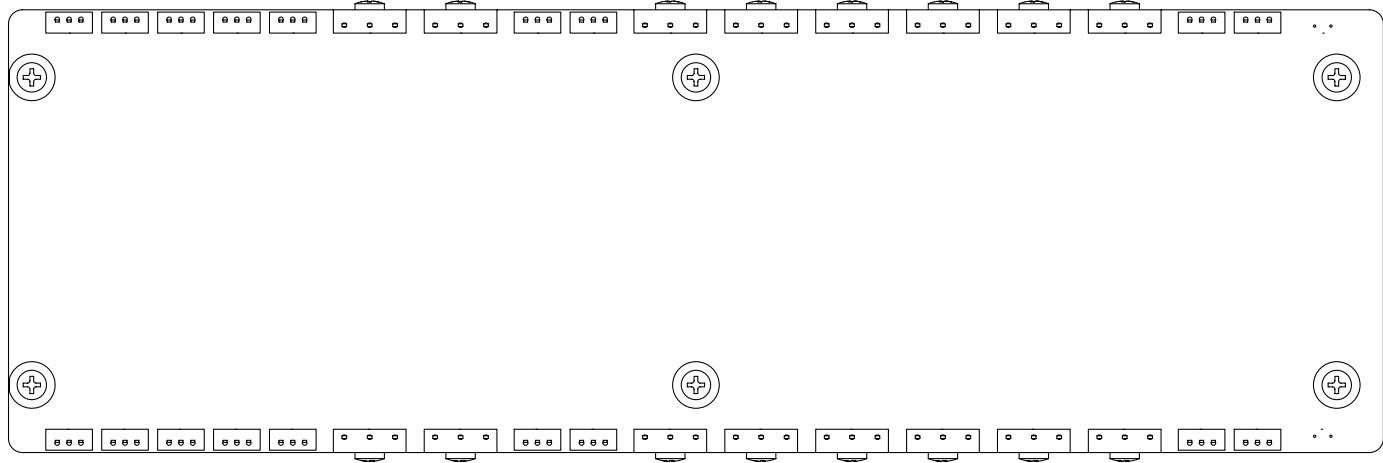
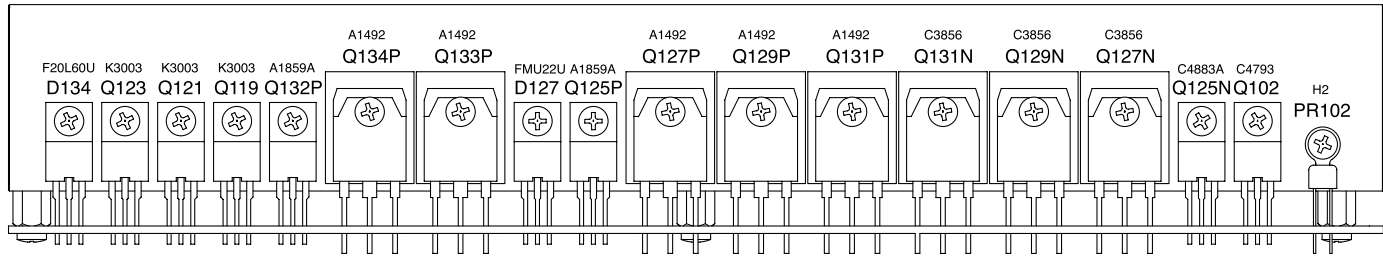
A: Australian model	M: South African model
B: British model	O: Chinese model
C: Canadian model	Q: South-east Asia model
D: German model	T: Taiwan model
E: European model	U: U.S.A. model
F: French model	V: General export model (110V)
H: North European model	W: General export model (220V)
I: Indonesian model	N,X: General export model
J: Japanese model	Y: Export model
K: Korean model	

- The numbers in "QTY" show quantities for each unit.
- The parts with "--" in "Parts No." are not available as spare parts.
- The mark "}" in the remarks column indicates that these parts are interchangeable.
- The second letter of the shaded (■) part number is I, not one.
- 部品価格ランクは、変更になることがあります。
- QTY 欄に記されている数字は、使用個数です。
- PART NO. が "--" の部品は、サービス用部品として準備されておりません。
- REMARKS 欄の "}" 部品は、併用部品です。
- 網掛けの付いた PART NO. の 2 番目の文字は「イチ」ではなく、「アイ」です。

OVERALL ASSEMBLY (総組立)



	XP1000	XP2500	XP3500
Q120	×	○	○
Q121	×	○	○
Q122	×	×	○
Q123	×	×	○
Q126N	×	×	○
Q126P	×	×	○
Q127N	×	×	○
Q127P	×	×	○
Q134N	×	○	○
Q134P	×	○	○



■ PA UNIT (PAユニット)

REF NO.	PART NO.	DESCRIPTION	部 品 名	REMARKS	QTY	RANK
		OVERALL ASSEMBLY	総 組 立	XP1000/XP2500/XP3500		
	--	Overall Assembly	総 組 立	XP1000 J (WF25350)		
	--	Overall Assembly	総 組 立	XP2500 J (WF25270)		
	--	Overall Assembly	総 組 立	XP3500 J (WF25190)		
	--	Overall Assembly	総 組 立	XP1000 U,T (WF25360)		
	--	Overall Assembly	総 組 立	XP2500 U,T (WF25280)		
	--	Overall Assembly	総 組 立	XP3500 U,T (WF25200)		
	--	Overall Assembly	総 組 立	XP1000 H,K (WF25370)		
	--	Overall Assembly	総 組 立	XP2500 H,K (WF25290)		
	--	Overall Assembly	総 組 立	XP3500 H,K (WF25210)		
	--	Overall Assembly	総 組 立	XP1000 B (WF25380)		
	--	Overall Assembly	総 組 立	XP2500 B (WF25300)		
	--	Overall Assembly	総 組 立	XP3500 B (WF25220)		
	--	Overall Assembly	総 組 立	XP1000 A (WF25390)		
	--	Overall Assembly	総 組 立	XP2500 A (WF25310)		
	--	Overall Assembly	総 組 立	XP3500 A (WF25230)		
	--	Overall Assembly	総 組 立	XP1000 O (WF25420)		
	--	Overall Assembly	総 組 立	XP2500 O (WF25340)		
	--	Overall Assembly	総 組 立	XP3500 O (WF25260)		
*	10	WF258200 Main Chassis	メ イ ン シ ャ ー シ ン 印 刷			
	20	WE962000 Bind Head Tapping Screw-B	4.0X8 MFZN2B3	B タ イ ト + B I N D	4	01
*	30	WF259000 PA Unit	J	P A ユ ニ ッ ト		
*	30	WF258900 PA Unit	J	P A ユ ニ ッ ト		
*	30	WF258800 PA Unit	J	P A ユ ニ ッ ト		
	35	WF578600 Washer	4.0X8X0.8 MFZN2W3	平 座 小 型 丸	6	01
	40	WE962000 Bind Head Tapping Screw-B	4.0X8 MFZN2B3	B タ イ ト + B I N D	6	01
⚠	50	X5596A00 Power Transformer	DENAN A	電 源 ト ラ ン ス		16
⚠	50	X5592A00 Power Transformer	DENAN A	電 源 ト ラ ン ス		19
⚠	50	X5588A00 Power Transformer		電 源 ト ラ ン ス		20
⚠	50	X6773A00 Power Transformer	UL A	電 源 ト ラ ン ス		19
⚠	50	X5593A00 Power Transformer	UL A	電 源 ト ラ ン ス		20
⚠	50	X5589A00 Power Transformer	UL A	電 源 ト ラ ン ス		19
⚠	50	X6774A00 Power Transformer	CE A	電 源 ト ラ ン ス		20
⚠	50	X5594A00 Power Transformer	CE A	電 源 ト ラ ン ス		19
⚠	50	X5590A00 Power Transformer	CE A	電 源 ト ラ ン ス		20
⚠	50	X6775A00 Power Transformer	AS A	電 源 ト ラ ン ス		19
⚠	50	X5595A00 Power Transformer	AS A	電 源 ト ラ ン ス		20
⚠	50	X5591A00 Power Transformer	AS A	電 源 ト ラ ン ス		19
	60	WF398700 Circuit Board	DC10	D C 1 0 シ ー ト		20
	60	WF398300 Circuit Board	DC25	D C 2 5 シ ー ト		
	60	WF397900 Circuit Board	DC35	D C 3 5 シ ー ト		
	60	WF398800 Circuit Board	DC10	D C 1 0 シ ー ト		
	60	WF398400 Circuit Board	DC25	D C 2 5 シ ー ト		
	60	WF398000 Circuit Board	DC35	D C 3 5 シ ー ト		
	60	WF398900 Circuit Board	DC10	D C 1 0 シ ー ト		
	60	WF398500 Circuit Board	DC25	D C 2 5 シ ー ト		
	60	WF398100 Circuit Board	DC35	D C 3 5 シ ー ト		
	60	WF399000 Circuit Board	DC10	D C 1 0 シ ー ト		
	60	WF398600 Circuit Board	DC25	D C 2 5 シ ー ト		
	60	WF398200 Circuit Board	DC35	D C 3 5 シ ー ト		
⚠	70	V4833600 Diode Stack	RBV-2506 25.0A 600	ダイ オード スタック		04
	80	-- Silicon Grease	X-113A G746	シリ コン グリス		
	90	WE877900 Bind Head Tapping Screw-S	3.0X6 MFZN2W3	S タ イ ト + B I N D	9	01
	100	WE972100 Bind Head Tapping Screw-S	3.0X8 MFZN2W3	S タ イ ト + B I N D		
	120	WC183100 AC Cord	J VCTF 1.25X2 12A	電 源 コ ー ド		05
⚠	120	WG619900 AC Cord	UC SJT 3X18AWG 10A	電 源 コ ー ド		
⚠	120	WC183300 AC Cord	H H05VV-F0.75X316A	電 源 コ ー ド		05
⚠	120	WC183500 AC Cord	BS H05VV-F 13A	電 源 コ ー ド		08
⚠	120	WD030800 AC Cord	CHN 10A 250V 2.5M	電 源 コ ー ド		05
	130	V3662800 Cord Strap	CS-180	コ ー ド ス ト ラ ッ プ		01
	140	VV103100 Cord Strain Relief	SR-6P1	コ ー ド ス ト ッ パ ニ		01
	150	WE941800 Bind Head Tapping Screw-S	4.0X8 MFZN2W3	S タ イ ト + B I N D		01
	155	WE994800 Bind Head Tapping Screw-S	4.0X8 MFZN2B3	S タ イ ト + B I N D		01
	160	WA968500 Fan	RDH8025S2	D C フ ァ ン		06
	170	WE984000 Bind Head Screw	4.0X16 MFZN2W3 SP	小 ネ ジ + B I N D	2	01
*	180	WG169200 Hexagonal Nut	M4 #1	ナ ッ ト 6 角	2	
*	190	WF401000 Circuit Board	VR (SUB)	V R 1 0 シ ー ト		
*	190	WF400900 Circuit Board	VR (SUB)	V R 2 5 シ ー ト		
*	190	WF400800 Circuit Board	VR (SUB)	V R 3 5 シ ー ト		
	200	WD359600 Connector Assembly	ATT	束 線 A T T		

*: New parts

RANK: Japan only

REF NO.	PART NO.	DESCRIPTION	部 品 名	REMARKS	QTY	RANK
210	WD490700	Attenuation Knob		アッテネーターノブ	ATT A/B	2 03
220	WF400500	Circuit Board	PSW (SUB)	P S W 1 0 シ ー ト	XP1000 (WF39950)	
220	WF400400	Circuit Board	PSW (SUB)	P S W 2 5 シ ー ト	XP2500 (WF39940)	
220	WF400300	Circuit Board	PSW (SUB)	P S W 3 5 シ ー ト	XP3500 (WF39930)	
230	WE877900	Bind Head Tapping Screw-S	3.0X6 MFZN2W3	S タ イ ト + B I N D		2 01
240	WD345600	Power Switch Knob	MG32/14FX_A	P S W ノ ブ	ON/OFF	2 01
250	WF401500	Circuit Board	LED (SUB)	L E D 1 0 シ ー ト	XP1000 (WF39950)	
250	WF401400	Circuit Board	LED (SUB)	L E D 2 5 シ ー ト	XP2500 (WF39940)	
250	WF401300	Circuit Board	LED (SUB)	L E D 3 5 シ ー ト	XP3500 (WF39930)	
270	WE877900	Bind Head Tapping Screw-S	3.0X6 MFZN2W3	S タ イ ト + B I N D		2 01
280	WF400000	Circuit Board	IO (SUB) 1/4-4/4	I O 1 0 シ ー ト	XP1000 (WF39950)	
280	WF399900	Circuit Board	IO (SUB) 1/4-4/4	I O 2 5 シ ー ト	XP2500 (WF39940)	
280	WF399800	Circuit Board	IO (SUB) 1/4-4/4	I O 3 5 シ ー ト	XP3500 (WF39930)	
290	WG003400	Connector Assembly	C&C 8P 100L	束 線 # 2 8		
300	WE986400	Pan Head Screw	2.6X6 MFZN2B3	小 ネ ジ + P A N		2 01
310	WE878000	Bonding Tapping Screw-B	3.0X10 MFZN2B3	B タ イ ト + B O N D		4 01
320	WD490100	Spacer	H=24.5 B=5.5	6 角 ス ペ ー サ ー		2
330	WE877900	Bind Head Tapping Screw-S	3.0X6 MFZN2W3	S タ イ ト + B I N D		2 01
335	WE877800	Bind Head Tapping Screw-S	3.0X6 MFZN2B3	S タ イ ト + B I N D		2 01
340	WE878000	Bonding Tapping Screw-B	3.0X10 MFZN2B3	B タ イ ト + B O N D		2 01
350	WF266800	Flat Head Tapping Screw-B	3.0X8 MFZN2B3	B タ イ ト + F L A T		4
360	V6706600	Hex. Locking Screw	HFS-4S-B1W	6 角 ロ ッ ク ネ ジ		2 01
370	WF259700	Front Panel	1	フロントパネル1印刷	XP1000	
370	WF259600	Front Panel	1	フロントパネル1印刷	XP2500	
370	WF259500	Front Panel	1	フロントパネル1印刷	XP3500	
380	WF260000	Front Panel	2	フロントパネル2印刷		
390	WF419400	Hex. Socket Set Screw	3X10 MFZN2B3	S タ イ ト 6 角 孔 付 き		8
400	WF383600	Handle		ハンドル 2U 塗装		2
410	WD491700	Angle, Handle		ハンドルアングル		2
420	WG168300	Bind Head Screw	5.0X16 MFZN2W3 SP	小 ネ ジ + B I N D		4
430	WD345700	Escutcheon, Power Switch	MG32/14FX_A	P S W エ ス カ ッ シ ョ ン		01
440	WE962000	Bind Head Tapping Screw-B	4.0X8 MFZN2B3	B タ イ ト + B I N D		6 01
450	WD492100	Angle Bracket, Rack		ラックアングル 塗装		2 05
460	WE980400	Bind Head Screw	4.0X10 MFZN2B3	小 ネ ジ + B I N D		6 01
470	WD361700	Connector Assembly	C&C 15P 320L	束 線 # 2 8		
480	WF443300	Connector Assembly	C&C 6P 300L	束 線 # 2 8		
490	V3272800	Cord Holder	T18R TYTIN CO.	インシュロックタイ		7
500	WD492300	Top Cover		トップカバー 塗装		08
510	WE962000	Bind Head Tapping Screw-B	4.0X8 MFZN2B3	B タ イ ト + B I N D		11 01
520	WD494500	Cover, Speaker Terminal		S P タ ー ミ ナ ル カ バ ー		
530	WE877800	Bind Head Tapping Screw-S	3.0X6 MFZN2B3	S タ イ ト + B I N D		2 01
		PA UNIT		P A ユ ニ ッ ト	XP1000/XP2500/XP3500	
	WF259000	PA Unit		P A ユ ニ ッ ト	XP1000	
	WF258900	PA Unit		P A ユ ニ ッ ト	XP2500	
	WF258800	PA Unit		P A ユ ニ ッ ト	XP3500	
P10	--	Heat Sink		ヒ ー ト シ ン ク	(WD49030)	
P20	WD490000	Spacer	H=7.5 B=5.5	6 角 ス ペ ー サ ー		6
P30	WF397000	Circuit Board	PAL10	P A L 1 0 シ ー ト	XP1000 (X6751B0)	
P30	WF396900	Circuit Board	PAL25	P A L 2 5 シ ー ト	XP2500 (X6751B0)	
P30	WF396800	Circuit Board	PAL35	P A L 3 5 シ ー ト	XP3500 (X6751B0)	
P40	WE877900	Bind Head Tapping Screw-S	3.0X6 MFZN2W3	S タ イ ト + B I N D		6 01
P50	--	Silicon Grease	X-113A G746	シ リ コ ン グ リ ー ス	(VA79810)	
P60	WB448600	Insulation Sheet	RSI T=0.07	放 熱 シ ー ト	XP3500	16 01
P60	WB448600	Insulation Sheet	RSI T=0.07	放 熱 シ ー ト	XP2500	12 01
P60	WB448600	Insulation Sheet	RSI T=0.07	放 熱 シ ー ト	XP1000	10 01
P70	WE877700	Bind Head Tapping Screw-B	3.0X12 MFZN2W3 SP	小 ネ ジ + B I N D	XP3500	36
P70	WE877700	Bind Head Tapping Screw-B	3.0X12 MFZN2W3 SP	小 ネ ジ + B I N D	XP2500	30
P70	WE877700	Bind Head Tapping Screw-B	3.0X12 MFZN2W3 SP	小 ネ ジ + B I N D	XP1000	26
D126	V4816400	Diode Stack	FMU-22U 10.0A 200V	ダ イ オ ー ド ス タ ッ ク		03
D127	V4816400	Diode Stack	FMU-22U 10.0A 200V	ダ イ オ ー ド ス タ ッ ク		03
D133	V6351700	Diode	SF20L60U SUTO	ダ イ オ ー ド		06
D134	V6351700	Diode	SF20L60U SUTO	ダ イ オ ー ド		06
Q101	VQ547300	Transistor	2SC2SC4793(HFE,F)	ト ラ ン ジ ス タ		03
Q102	VQ547300	Transistor	2SC2SC4793(HFE,F)	ト ラ ン ジ ス タ		03
Q118	V8093500	FET	2SK3003 LFNO.600	F E T		04
Q119	V8093500	FET	2SK3003 LFNO.600	F E T		04
Q120	V8093500	FET	2SK3003 LFNO.600	F E T	XP2500/XP3500	04
Q121	V8093500	FET	2SK3003 LFNO.600	F E T	XP2500/XP3500	04
Q122	V8093500	FET	2SK3003 LFNO.600	F E T	XP3500	04

*: New parts

RANK: Japan only

REF NO.	PART NO.	DESCRIPTION	部 品 名	REMARKS	QTY	RANK
Q123	V8093500	FET	2SK3003 LFNO.600	F E T	XP3500	04
PR101	VL965100	Positive Thermistor	PTFM04BE222Q2N34B0	ボ ジ ス タ		04
PR102	VL964800	Positive Thermistor	PTFM04BH222Q2N34B0	ボ ジ ス タ		04
Q124N	VR732800	Transistor	A1859A/C4883A	ペ ア ト ラ ン ジ ス タ		04
Q124P	VR732800	Transistor	A1859A/C4883A	ペ ア ト ラ ン ジ ス タ		04
Q125N	VR732800	Transistor	A1859A/C4883A	ペ ア ト ラ ン ジ ス タ		04
Q125P	VR732800	Transistor	A1859A/C4883A	ペ ア ト ラ ン ジ ス タ		04
Q126N	VZ222300	Pair Transistor	A1492C3856(Z)(210)	ペ ア ト ラ ン ジ ス タ	XP3500	06
Q126P	VZ222300	Pair Transistor	A1492C3856(Z)(210)	ペ ア ト ラ ン ジ ス タ	XP3500	06
Q127N	VZ222300	Pair Transistor	A1492C3856(Z)(210)	ペ ア ト ラ ン ジ ス タ	XP3500	06
Q127P	VZ222300	Pair Transistor	A1492C3856(Z)(210)	ペ ア ト ラ ン ジ ス タ	XP3500	06
Q128N	VZ222300	Pair Transistor	A1492C3856(Z)(210)	ペ ア ト ラ ン ジ ス タ		06
-131N	VZ222300	Pair Transistor	A1492C3856(Z)(210)	ペ ア ト ラ ン ジ ス タ		06
Q128P	VZ222300	Pair Transistor	A1492C3856(Z)(210)	ペ ア ト ラ ン ジ ス タ		06
-131P	VZ222300	Pair Transistor	A1492C3856(Z)(210)	ペ ア ト ラ ン ジ ス タ		06
Q132N	VR732800	Transistor	A1859A/C4883A	ペ ア ト ラ ン ジ ス タ		04
Q132P	VR732800	Transistor	A1859A/C4883A	ペ ア ト ラ ン ジ ス タ		04
Q133N	VZ222300	Pair Transistor	A1492C3856(Z)(210)	ペ ア ト ラ ン ジ ス タ		06
Q133P	VZ222300	Pair Transistor	A1492C3856(Z)(210)	ペ ア ト ラ ン ジ ス タ		06
Q134N	VZ222300	Pair Transistor	A1492C3856(Z)(210)	ペ ア ト ラ ン ジ ス タ	XP2500/XP3500	06
Q134P	VZ222300	Pair Transistor	A1492C3856(Z)(210)	ペ ア ト ラ ン ジ ス タ	XP2500/XP3500	06
A	WF078800	ACCESSOREIS		付 属 品		2
A1	V4559800	Terminal Assembly	XH	端 子 台 A s s ' y		04
B	WD494200	Terminal	MC100-50803	ミ ニ 端 子 台 3 P		04
B1	--	Security Cover Assembly		S / C A s s ' y		
B2	--	Security Cover		セ キ ュ リ テ ィ ー カ バ ー	(WD49410)	
		Allen Wrench	2mm 16X50 BE ZINC	六 角 レ ン チ	(WD49390)	

*: New parts

RANK: Japan only

■ ELECTRICAL PARTS (電気部品)

REF NO.	PART NO.	DESCRIPTION	部 品 名	REMARKS	QTY	RANK
		ELECTRICAL PARTS	電 気 部 品	XP1000/XP2500/XP3500		
*	WF398700	Circuit Board	DC10	XP1000 J (X6753B0)		
*	WF398300	Circuit Board	DC25	XP2500 J (X6753B0)		
*	WF397900	Circuit Board	DC35	XP3500 J (X6753B0)		
*	WF398800	Circuit Board	DC10	XP1000 U,T (X6753B0)		
*	WF398400	Circuit Board	DC25	XP2500 U,T (X6753B0)		
*	WF398000	Circuit Board	DC35	XP3500 U,T (X6753B0)		
*	WF398900	Circuit Board	DC10	XP1000 H,K,B,O (X6753B0)		
*	WF398500	Circuit Board	DC25	XP2500 H,K,B,O (X6753B0)		
*	WF398100	Circuit Board	DC35	XP3500 H,K,B,O (X6753B0)		
*	WF399000	Circuit Board	DC10	XP1000 A (X6753B0)		
*	WF398600	Circuit Board	DC25	XP2500 A (X6753B0)		
*	WF398200	Circuit Board	DC35	XP3500 A (X6753B0)		
*	WF397000	Circuit Board	PAL10	XP1000 (X6751B0)		
*	WF396900	Circuit Board	PAL25	XP2500 (X6751B0)		
*	WF396800	Circuit Board	PAL35	XP3500 (X6751B0)		
*	WF400000	Circuit Board	IO10	XP1000 (WF39950)(X6754C0/D0)		
*	WF399900	Circuit Board	IO25	XP2500 (WF39940)(X6754C0/D0)		
*	WF399800	Circuit Board	IO35	XP3500 (WF39930)(X6754C0/D0)		
*	WF400500	Circuit Board	PSW10	XP1000 (WF39950)(X6754C0/D0)		
*	WF400400	Circuit Board	PSW25	XP2500 (WF39940)(X6754C0/D0)		
*	WF400300	Circuit Board	PSW35	XP3500 (WF39930)(X6754C0/D0)		
*	WF401000	Circuit Board	VR10	XP1000 (WF39950)(X6754C0/D0)		
*	WF400900	Circuit Board	VR25	XP2500 (WF39940)(X6754C0/D0)		
*	WF400800	Circuit Board	VR35	XP3500 (WF39930)(X6754C0/D0)		
*	WF401500	Circuit Board	LED10	XP1000 (WF39950)(X6754C0/D0)		
*	WF401400	Circuit Board	LED25	XP2500 (WF39940)(X6754C0/D0)		
*	WF401300	Circuit Board	LED35	XP3500 (WF39930)(X6754C0/D0)		
*	WF259000	PA Unit		XP1000		
*	WF258900	PA Unit		XP2500		
*	WF258800	PA Unit		XP3500		
	WF398700	Circuit Board	DC10	XP1000 J (X6753B0)		
	WF398300	Circuit Board	DC25	XP2500 J (X6753B0)		
	WF397900	Circuit Board	DC35	XP3500 J (X6753B0)		
	WF398800	Circuit Board	DC10	XP1000 U,T (X6753B0)		
	WF398400	Circuit Board	DC25	XP2500 U,T (X6753B0)		
	WF398000	Circuit Board	DC35	XP3500 U,T (X6753B0)		
	WF398900	Circuit Board	DC10	XP1000 H,K,B,O (X6753B0)		
	WF398500	Circuit Board	DC25	XP2500 H,K,B,O (X6753B0)		
	WF398100	Circuit Board	DC35	XP3500 H,K,B,O (X6753B0)		
	WF399000	Circuit Board	DC10	XP1000 A (X6753B0)		
	WF398600	Circuit Board	DC25	XP2500 A (X6753B0)		
	WF398200	Circuit Board	DC35	XP3500 A (X6753B0)		
	VU801500	Fuse Holder	PIN WL-210A	ヒューズホルダ		01
	WA772200	Fuse Holder	PIN WL-211	ヒューズホルダ	J,U,T	
△	C401	V6146500	Capacitor-KH	1000P 250V J.U.C.S	規格認定コン	
△	C402	WD090900	Capacitor	3300P 250V J.U.C.S	規格認定コン	J,H,K,B,O,A
△	C402	V6146600	Capacitor-KH	2200P 250V J.U.C.S	規格認定コン	K H U,T
△	C403	WD090900	Capacitor	3300P 250V J.U.C.S	規格認定コン	J,H,K,B,O,A
△	C403	V6146600	Capacitor-KH	2200P 250V J.U.C.S	規格認定コン	K H U,T
	C405	WB206200	Capacitor	0.22 275V UCS	規格認定コン	
	C406	V3148500	Mylar Capacitor	END250P33M4	フィルムコン	
	C407	V3148500	Mylar Capacitor	END250P33M4	フィルムコン	
	C408	WE864100	Electrolytic Cap.	3300 160.0V JIRITS	ケミコン	
	C409	WE864100	Electrolytic Cap.	3300 160.0V JIRITS	ケミコン	
	C410	WE864100	Electrolytic Cap.	3300 160.0V JIRITS	ケミコン	XP2500/XP3500
	C411	WE864100	Electrolytic Cap.	3300 160.0V JIRITS	ケミコン	XP2500/XP3500
	C412	VR168300	Monolithic Mylar Capacitor	ECQ-V1H104JL3	積層マイラーコン	
	C413	VR168300	Monolithic Mylar Capacitor	ECQ-V1H104JL3	積層マイラーコン	
	C414	UR866470	Electrolytic Cap.	4.70 50.0V RX TP	ケミコン	
	C415	WD707800	Ceramic Capacitor-B	2200P 1KV K RX TP	セラコン (B)	
	C416	UR859100	Electrolytic Cap.	1000 35.0V RX TP	ケミコン	
	C417	UR859100	Electrolytic Cap.	1000 35.0V RX TP	ケミコン	
	C418	WD707800	Ceramic Capacitor-B	2200P 1KV K RX TP	セラコン (B)	
	C419	UR867100	Electrolytic Cap.	10.00 50.0V RX TP	ケミコン	
	C420	UR867100	Electrolytic Cap.	10.00 50.0V RX TP	ケミコン	
	C421	US064100	Ceramic Capacitor-B (chip)	0.0100 50V K RECT.	チップセラ (B)	
	C422	UR866470	Electrolytic Cap.	4.70 50.0V RX TP	ケミコン	
	C423	UR867100	Electrolytic Cap.	10.00 50.0V RX TP	ケミコン	

*: New parts

RANK: Japan only

REF NO.	PART NO.	DESCRIPTION	部 品 名	REMARKS	QTY	RANK
-425	UR867100	Electrolytic Cap.	10.00 50.0V RX TP	ケ ミ コ ン		01
C426	US064100	Ceramic Capacitor-B (chip)	0.0100 50V K RECT.	チ ッ プ セ ラ (B)		01
C427	UR828470	Electrolytic Cap.	470.00 10.0V RX TP	ケ ミ コ ン		01
C428	UR847470	Electrolytic Cap.	47.00 25.0V RX TP	ケ ミ コ ン		01
C429	UR866100	Electrolytic Cap.	1.00 50.0V RX TP	ケ ミ コ ン		01
C430	US063100	Ceramic Capacitor-B (chip)	1000P 50V K RECT.	チ ッ プ セ ラ (B)		01
C431	VR168300	Monolithic Mylar Capacitor	ECQ-V1H104JL3	積 層 マ イ ラ ー コ ン		01
C441	UR868100	Electrolytic Cap.	100.00 50.0V RX TP	ケ ミ コ ン		01
C442	VR168300	Monolithic Mylar Capacitor	ECQ-V1H104JL3	積 層 マ イ ラ ー コ ン		01
C443	US063100	Ceramic Capacitor-B (chip)	1000P 50V K RECT.	チ ッ プ セ ラ (B)		01
-445	US063100	Ceramic Capacitor-B (chip)	1000P 50V K RECT.	チ ッ プ セ ラ (B)		01
C446	VR168300	Monolithic Mylar Capacitor	ECQ-V1H104JL3	積 層 マ イ ラ ー コ ン		01
C447	UR867100	Electrolytic Cap.	10.00 50.0V RX TP	ケ ミ コ ン		01
C448	US063100	Ceramic Capacitor-B (chip)	1000P 50V K RECT.	チ ッ プ セ ラ (B)		01
C449	UR828220	Electrolytic Cap.	220.00 10.0V RX TP	ケ ミ コ ン		01
C450	US063100	Ceramic Capacitor-B (chip)	1000P 50V K RECT.	チ ッ プ セ ラ (B)		01
-452	US063100	Ceramic Capacitor-B (chip)	1000P 50V K RECT.	チ ッ プ セ ラ (B)		01
C453	UR828470	Electrolytic Cap.	470.00 10.0V RX TP	ケ ミ コ ン		01
C501	VR168300	Monolithic Mylar Capacitor	ECQ-V1H104JL3	積 層 マ イ ラ ー コ ン		01
-504	VR168300	Monolithic Mylar Capacitor	ECQ-V1H104JL3	積 層 マ イ ラ ー コ ン		01
C505	FG612100	Ceramic Cap.-B	100P 50V K RX TP	セ ラ コ ン (B)		01
C506	FG644100	Electrolytic Cap.	0.0100 50V Z RX TP	セ ラ コ ン (F)		01
C507	FG612100	Ceramic Cap.-B	100P 50V K RX TP	セ ラ コ ン (B)		01
C508	FG644100	Electrolytic Cap.	0.0100 50V Z RX TP	セ ラ コ ン (F)		01
C509	FG651560	Ceramic Capacitor-SL	56P 50V J RX TP	セ ラ コ ン (S L)		01
C510	FG651560	Ceramic Capacitor-SL	56P 50V J RX TP	セ ラ コ ン (S L)		01
C513	FG613100	Ceramic Capacitor-B	1000P 50V K RX TP	セ ラ コ ン (B)		01
C514	FG613100	Ceramic Capacitor-B	1000P 50V K RX TP	セ ラ コ ン (B)		01
C515	FG612470	Ceramic Capacitor-B	470P 50V K RX TP	セ ラ コ ン (B)		01
C516	FG612470	Ceramic Capacitor-B	470P 50V K RX TP	セ ラ コ ン (B)		01
C517	UR847100	Electrolytic Cap.	10.00 25.0V RX TP	ケ ミ コ ン		01
C518	UR847100	Electrolytic Cap.	10.00 25.0V RX TP	ケ ミ コ ン		01
C519	UA654470	Mylar Capacitor	0.0470 50V J RX TP	マ イ ラ ー コ ン		01
C520	UA654470	Mylar Capacitor	0.0470 50V J RX TP	マ イ ラ ー コ ン		01
C521	UU267220	Electrolytic Cap.-FW	22.00 50.0V RX TP	ケ ミ コ ン F W		01
C522	UU267220	Electrolytic Cap.-FW	22.00 50.0V RX TP	ケ ミ コ ン F W		01
C523	FG612100	Ceramic Cap.-B	100P 50V K RX TP	セ ラ コ ン B		01
C524	FG612100	Ceramic Cap.-B	100P 50V K RX TP	セ ラ コ ン B		01
C525	UU238100	Electrolytic Cap.-FW	100.00 16.0V RX TP	ケ ミ コ ン F W		01
C526	UU238100	Electrolytic Cap.-FW	100.00 16.0V RX TP	ケ ミ コ ン F W		01
C527	FU451220	Mica Capacitor	22P 500V J RX TP	マ イ カ コ ン		01
C528	FU451220	Mica Capacitor	22P 500V J RX TP	マ イ カ コ ン		01
C529	UA653220	Mylar Capacitor	2200P 50V J RX TP	マ イ ラ ー コ ン		01
C530	UA653220	Mylar Capacitor	2200P 50V J RX TP	マ イ ラ ー コ ン		01
C531	UR847100	Electrolytic Cap.	10.00 25.0V RX TP	ケ ミ コ ン		01
C532	UR847100	Electrolytic Cap.	10.00 25.0V RX TP	ケ ミ コ ン		01
C533	UA654560	Mylar Capacitor	0.0560 50V J RX TP	マ イ ラ ー コ ン		01
C534	UU267220	Electrolytic Cap.-FW	22.00 50.0V RX TP	ケ ミ コ ン F W		01
C535	UU267220	Electrolytic Cap.-FW	22.00 50.0V RX TP	ケ ミ コ ン F W		01
C536	UA653220	Mylar Capacitor	2200P 50V J RX TP	マ イ ラ ー コ ン		01
C537	UA653220	Mylar Capacitor	2200P 50V J RX TP	マ イ ラ ー コ ン		01
CN401	WA767700	Fasten Terminal	16611BL-2	フ ァ ス ト ン 端 子	XP3500	
CN402	WA767700	Fasten Terminal	16611BL-2	フ ァ ス ト ン 端 子	XP3500	
CN403	WA767700	Fasten Terminal	16611BL-2	フ ァ ス ト ン 端 子	XP3500	
-406	WA767700	Fasten Terminal	16611BL-2	フ ァ ス ト ン 端 子	XP3500	
CN407	WA767700	Fasten Terminal	16611BL-2	フ ァ ス ト ン 端 子	XP3500	
CN408	WA767700	Fasten Terminal	16611BL-2	フ ァ ス ト ン 端 子	XP3500	
-412	WA767700	Fasten Terminal	16611BL-2	フ ァ ス ト ン 端 子	XP3500	
CN413	LB932030	Base Post Connector	VH 3P TE	ベ ー ス ポ ス ト		01
CN414	VF283300	Base Post Connector	PH 15P TE	ベ ー ス ポ ス ト		01
CN415	VB389800	Base Post Connector	PH 2P TE	ベ ー ス ポ ス ト		01
CN416	VB390600	Base Post Connector	PH 10P TE	ベ ー ス ポ ス ト		01
CN441	VB390200	Base Post Connector	PH 6P TE	ベ ー ス ポ ス ト		01
CN501	VB390400	Base Post Connector	PH 8P TE	ベ ー ス ポ ス ト		01
D402	WD543900	Diode	1N4004 DO-41	ダ イ オ ー ド		
-408	WD543900	Diode	1N4004 DO-41	ダ イ オ ー ド		
D409	VU172000	Zener Diode	UDZS5.6BTE-17 5.6V	ツ ェ ナ ー ダ イ オ ー ド		01
D410	VR496500	Diode	MA111 FLAT TP	ダ イ オ ー ド		
D411	VJ657300	Diode	AK03 V0 TP	ダ イ オ ー ド		01
D412	VJ657300	Diode	AK03 V0 TP	ダ イ オ ー ド		01

※: New parts

RANK: Japan only

REF NO.	PART NO.	DESCRIPTION	部 品 名	REMARKS	QTY	RANK
D413	VU172800	Zener Diode	UDZS12B TE-17 12V	ツェナーダイオード		01
D414	VR496500	Diode	MA111 FLAT TP	ダイオード		
D415	VR496500	Diode	MA111 FLAT TP	ダイオード		
D416	VU173000	Zener Diode	UDZS15B TE-17 15V	ツェナーダイオード		01
D441	WD543900	Diode	1N4004 DO-41	ダイオード		
-444	WD543900	Diode	1N4004 DO-41	ダイオード		
D445	VR496500	Diode	MA111 FLAT TP	ダイオード		
D446	VJ657300	Diode	AK03 V0 TP	ダイオード		01
D447	VR496500	Diode	MA111 FLAT TP	ダイオード		
D448	VU172000	Zener Diode	UDZS5.6BTE-17 5.6V	ツェナーダイオード	J,U,T	01
D449	VR496500	Diode	MA111 FLAT TP	ダイオード		
-452	VR496500	Diode	MA111 FLAT TP	ダイオード		
D501	VD631600	Diode	1SS133,176,HSS104	ダイオード		01
-512	VD631600	Diode	1SS133,176,HSS104	ダイオード		01
F401	VP909900	Fuse	7.00A U.C	ヒューズ	XP1000 J,U,T	02
F401	KB001380	Fuse	15A 250V JUC	ヒューズ	XP2500 J,U,T	04
F401	VS823400	Fuse	10.00A JUC	ヒューズ	XP3500 J,U,T	01
F401	VV071700	Fuse	TSD 3.15A250 SEMKO	ヒューズ	XP1000 H,K,B,O,A	01
F401	VT943200	Fuse	TH 5.00A S	ヒューズ	XP2500 H,K,B,O,A	01
F401	VV071800	Fuse	TSD 4A 250V SEMKO	ヒューズ	XP3500 H,K,B,O,A	01
F402	VS823400	Fuse	10.00A JUC	ヒューズ	XP3500 J,U,T	01
F402	WB760600	Fuse	TSD6.3A250V SEMKO	ヒューズ	XP3500 H,K,B,O,A	01
F403	VU024400	Fuse	1A J.U.C	ヒューズ	J,U,T	01
F403	VV071200	Fuse	TSD 1A 250V SEMKO	ヒューズ	H,K,B,O,A	01
F404	VU024400	Fuse	1A J.U.C	ヒューズ	J,U,T	01
F404	VV071200	Fuse	TSD 1A 250V SEMKO	ヒューズ	H,K,B,O,A	01
IC401	XD853A00	IC	NJM7815FA	I C	REGULATOR +15V	03
IC402	XD854A00	IC	NJM7915FA	I C	REGULATOR -15V	03
IC441	XJ604A00	IC	NJM78M05FA	I C	REGULATOR +5V	02
IC501	XA987A00	IC	NJM2068D-D	I C	OP AMP	01
IC502	XA987A00	IC	NJM2068D-D	I C	OP AMP	01
J405	--	Jumper Wire	0.55 TIN	ジャンパー線	(VA07890)	
-410	--	Jumper Wire	0.55 TIN	ジャンパー線	(VA07890)	
K401	WC533400	GND Plate	MLA8	プレート G N D		
K402	WC533400	GND Plate	MLA8	プレート G N D		
Q401	WC434800	Digital Transistor	KRA102S-RTK/P	デジタルトランジスタ		01
Q402	WC434800	Digital Transistor	KRA102S-RTK/P	デジタルトランジスタ		01
Q403	WC529400	Transistor	2SCKTC3875S-Y,GR-R	トランジスタ		
Q404	WC434800	Digital Transistor	KRA102S-RTK/P	デジタルトランジスタ		01
Q405	WC529400	Transistor	2SCKTC3875S-Y,GR-R	トランジスタ		
Q406	VQ547200	Transistor	2SA2SA1837(HFEYH,F	トランジスタ		03
Q407	VV556500	Transistor	2SA1037AK Q,R,S TP	トランジスタ		01
Q408	VV556500	Transistor	2SA1037AK Q,R,S TP	トランジスタ		01
Q409	WC529400	Transistor	2SCKTC3875S-Y,GR-R	トランジスタ		
Q410	VV556500	Transistor	2SA1037AK Q,R,S TP	トランジスタ		01
Q411	WC529400	Transistor	2SCKTC3875S-Y,GR-R	トランジスタ		
Q412	WC529400	Transistor	2SCKTC3875S-Y,GR-R	トランジスタ		
Q413	VV556500	Transistor	2SA1037AK Q,R,S TP	トランジスタ		01
Q414	WC435000	Digital Transistor	KRC102S-RTK/P	デジタルトランジスタ		01
Q415	VV556500	Transistor	2SA1037AK Q,R,S TP	トランジスタ		01
Q416	WC529400	Transistor	2SCKTC3875S-Y,GR-R	トランジスタ		
Q417	WC529400	Transistor	2SCKTC3875S-Y,GR-R	トランジスタ		
Q418	VV556500	Transistor	2SA1037AK Q,R,S TP	トランジスタ		01
Q419	WC529400	Transistor	2SCKTC3875S-Y,GR-R	トランジスタ		
Q420	WC529400	Transistor	2SCKTC3875S-Y,GR-R	トランジスタ		
Q441	WC529400	Transistor	2SCKTC3875S-Y,GR-R	トランジスタ		
Q442	WC529400	Transistor	2SCKTC3875S-Y,GR-R	トランジスタ		
Q443	VV556500	Transistor	2SA1037AK Q,R,S TP	トランジスタ		01
Q444	WC529400	Transistor	2SCKTC3875S-Y,GR-R	トランジスタ		
Q445	WC434800	Digital Transistor	KRA102S-RTK/P	デジタルトランジスタ		01
Q446	WC529400	Transistor	2SCKTC3875S-Y,GR-R	トランジスタ		
Q447	VV556500	Transistor	2SA1037AK Q,R,S TP	トランジスタ		01
Q448	VV556500	Transistor	2SA1037AK Q,R,S TP	トランジスタ		01
Q449	WC435000	Digital Transistor	KRC102S-RTK/P	デジタルトランジスタ		01
Q450	VV556500	Transistor	2SA1037AK Q,R,S TP	トランジスタ		01
Q451	VV556500	Transistor	2SA1037AK Q,R,S TP	トランジスタ		01
Q452	WC435000	Digital Transistor	KRC102S-RTK/P	デジタルトランジスタ		01
Q453	WC529400	Transistor	2SCKTC3875S-Y,GR-R	トランジスタ	J,U,T	
Q454	VV556500	Transistor	2SA1037AK Q,R,S TP	トランジスタ		01
Q455	WC529400	Transistor	2SCKTC3875S-Y,GR-R	トランジスタ		

△
△
△
△
△
△
△
△
△
△
△

*: New parts

RANK: Japan only

REF NO.	PART NO.	DESCRIPTION	部 品 名	REMARKS	QTY	RANK
Q456	VV556500	Transistor	2SA1037AK Q,R,S TP	トランジスタ		01
Q457	WC529400	Transistor	2SCKTC3875S-Y,GR-R	トランジスタ		
Q458	VV556500	Transistor	2SA1037AK Q,R,S TP	トランジスタ	J,U,T	01
Q459	WC529400	Transistor	2SCKTC3875S-Y,GR-R	トランジスタ	J,U,T	
Q460	WC434800	Digital Transistor	KRA102S-RTK/P	デジタルトランジスタ		01
Q461	VV556500	Transistor	2SA1037AK Q,R,S TP	トランジスタ		01
Q462	WC529400	Transistor	2SCKTC3875S-Y,GR-R	トランジスタ		
Q463	WC529400	Transistor	2SCKTC3875S-Y,GR-R	トランジスタ		
Q464	WC434800	Digital Transistor	KRA102S-RTK/P	デジタルトランジスタ		01
Q465	VV556500	Transistor	2SA1037AK Q,R,S TP	トランジスタ		01
Q466	WC434800	Digital Transistor	KRA102S-RTK/P	デジタルトランジスタ		01
Q467	WC435000	Digital Transistor	KRC102S-RTK/P	デジタルトランジスタ		01
Q468	VV556500	Transistor	2SA1037AK Q,R,S TP	トランジスタ		01
Q469	WC529400	Transistor	2SCKTC3875S-Y,GR-R	トランジスタ		
Q470	VV556500	Transistor	2SA1037AK Q,R,S TP	トランジスタ		01
Q471	WC434800	Digital Transistor	KRA102S-RTK/P	デジタルトランジスタ		01
Q472	WC529400	Transistor	2SCKTC3875S-Y,GR-R	トランジスタ		
Q473	WC435000	Digital Transistor	KRC102S-RTK/P	デジタルトランジスタ		01
Q474	VV556500	Transistor	2SA1037AK Q,R,S TP	トランジスタ		01
Q475	WC434800	Digital Transistor	KRA102S-RTK/P	デジタルトランジスタ		01
Q501	IA097030	Transistor	2SA970 GR,BL TP	トランジスタ		01
-503	IA097030	Transistor	2SA970 GR,BL TP	トランジスタ		01
Q504	IC224030	Transistor	2SC2240 GR,BL TP	トランジスタ		01
Q505	IA097030	Transistor	2SA970 GR,BL TP	トランジスタ		01
Q506	IC224030	Transistor	2SC2240 GR,BL TP	トランジスタ		01
-508	IC224030	Transistor	2SC2240 GR,BL TP	トランジスタ		01
Q509	VV911900	Digital Transistor	DTC114ESA-TP	デジタルトランジスタ		01
Q510	VV911900	Digital Transistor	DTC114ESA-TP	デジタルトランジスタ		01
Q511	VD678500	Digital Transistor	DTA114ES TP	デジタルトランジスタ		01
Q512	VD678500	Digital Transistor	DTA114ES TP	デジタルトランジスタ		01
Q513	IC1815M0	Transistor	2SC1815 Y,GR TP	トランジスタ		01
Q514	IC1815M0	Transistor	2SC1815 Y,GR TP	トランジスタ		01
Q515	VU418400	Transistor	2SA2SA1371D/E-AE D	トランジスタ		01
-518	VU418400	Transistor	2SA2SA1371D/E-AE D	トランジスタ		01
Q519	VU418600	Transistor	2SC2SC3468 D,E TP	トランジスタ		01
Q520	VU418600	Transistor	2SC2SC3468 D,E TP	トランジスタ		01
Q521	VU418400	Transistor	2SA2SA1371D/E-AE D	トランジスタ		01
Q522	VU418400	Transistor	2SA2SA1371D/E-AE D	トランジスタ		01
Q523	IC1815M0	Transistor	2SC1815 Y,GR TP	トランジスタ		01
-526	IC1815M0	Transistor	2SC1815 Y,GR TP	トランジスタ		01
Q527	IA101590	Transistor	2SA1015 O,Y TP	トランジスタ		01
Q528	IA101590	Transistor	2SA1015 O,Y TP	トランジスタ		01
Q529	VU418400	Transistor	2SA2SA1371D/E-AE D	トランジスタ		01
Q530	VU418600	Transistor	2SC2SC3468 D,E TP	トランジスタ		01
Q531	VU418600	Transistor	2SC2SC3468 D,E TP	トランジスタ		01
Q532	VU418400	Transistor	2SA2SA1371D/E-AE D	トランジスタ		01
R401	VN067400	Wire Wound Resistor	6.8 5W K	セメント抵抗		03
R403	VN067400	Wire Wound Resistor	6.8 5W K	セメント抵抗		03
R405	RD156180	Carbon Resistor (chip)	1.8K 1/4 J TP	チップ抵抗		01
R406	RD156180	Carbon Resistor (chip)	1.8K 1/4 J TP	チップ抵抗		01
R409	RD156180	Carbon Resistor (chip)	1.8K 1/4 J TP	チップ抵抗		01
R410	RD156180	Carbon Resistor (chip)	1.8K 1/4 J TP	チップ抵抗		01
R411	RD356680	Carbon Resistor (chip)	6.8K 63M J RECT.	チップ抵抗		01
R412	HF457470	Carbon Resistor	47.0K 1/4 J AX TP	カーボン抵抗		01
R413	HV753470	Flame Proof C. Resistor	4.7 1/4 J RX TP	不燃化カーボン抵抗		01
-416	HV753470	Flame Proof C. Resistor	4.7 1/4 J RX TP	不燃化カーボン抵抗		01
R417	RD356220	Carbon Resistor (chip)	2.2K 63M J RECT.	チップ抵抗		01
R418	RD357560	Carbon Resistor (chip)	56.0K 63M J RECT.	チップ抵抗		01
R419	RD357560	Carbon Resistor (chip)	56.0K 63M J RECT.	チップ抵抗		01
R421	RD356120	Carbon Resistor (chip)	1.2K 63M J RECT.	チップ抵抗		01
R422	RD357680	Carbon Resistor (chip)	68.0K 63M J RECT.	チップ抵抗		01
R423	RD355220	Carbon Resistor (chip)	220.0 63M J RECT.	チップ抵抗		01
R424	RD156820	Carbon Resistor (chip)	8.2K 1/4 J TP	チップ抵抗		01
R425	RD357470	Carbon Resistor (chip)	47.0K 63M J RECT.	チップ抵抗		01
R426	RD357470	Carbon Resistor (chip)	47.0K 63M J RECT.	チップ抵抗		01
R427	RD357100	Carbon Resistor (chip)	10.0K 63M J RECT.	チップ抵抗		01
* R428	RD156820	Carbon Resistor (chip)	8.2K 1/4 J TP	チップ抵抗		01
R429	RD355330	Carbon Resistor (chip)	330.0 63M J RECT.	チップ抵抗		01
R430	RD357470	Carbon Resistor (chip)	47.0K 63M J RECT.	チップ抵抗		01
R431	RD355330	Carbon Resistor (chip)	330.0 63M J RECT.	チップ抵抗		01

*: New parts

RANK: Japan only

REF NO.	PART NO.	DESCRIPTION	部 品 名	REMARKS	QTY	RANK
R432	RD156560	Carbon Resistor (chip)	5.6K 1/4 J TP	チ ッ ブ 抵 抗		01
R433	RD357100	Carbon Resistor (chip)	10.0K 63M J RECT.	チ ッ ブ 抵 抗		01
R434	RD356820	Carbon Resistor (chip)	8.2K 63M J RECT.	チ ッ ブ 抵 抗		01
R436	RD357220	Carbon Resistor (chip)	22.0K 63M J RECT.	チ ッ ブ 抵 抗		01
R437	RD157100	Carbon Resistor (chip)	10.0K 1/4 J TP	チ ッ ブ 抵 抗		01
R438	RD355100	Carbon Resistor (chip)	100.0 63M J RECT.	チ ッ ブ 抵 抗		01
-440	RD355100	Carbon Resistor (chip)	100.0 63M J RECT.	チ ッ ブ 抵 抗		01
R441	RD357220	Carbon Resistor (chip)	22.0K 63M J RECT.	チ ッ ブ 抵 抗		01
R442	RD357220	Carbon Resistor (chip)	22.0K 63M J RECT.	チ ッ ブ 抵 抗		01
R443	RD356100	Carbon Resistor (chip)	1.0K 63M J RECT.	チ ッ ブ 抵 抗		01
R444	RD357220	Carbon Resistor (chip)	22.0K 63M J RECT.	チ ッ ブ 抵 抗		01
R445	RD357470	Carbon Resistor (chip)	47.0K 63M J RECT.	チ ッ ブ 抵 抗		01
R446	RD357470	Carbon Resistor (chip)	47.0K 63M J RECT.	チ ッ ブ 抵 抗		01
R447	RD357220	Carbon Resistor (chip)	22.0K 63M J RECT.	チ ッ ブ 抵 抗		01
R448	RD358100	Carbon Resistor (chip)	100.0K 63M J RECT.	チ ッ ブ 抵 抗		01
R449	RD357220	Carbon Resistor (chip)	22.0K 63M J RECT.	チ ッ ブ 抵 抗		01
R450	RD357220	Carbon Resistor (chip)	22.0K 63M J RECT.	チ ッ ブ 抵 抗		01
R451	RD357470	Carbon Resistor (chip)	47.0K 63M J RECT.	チ ッ ブ 抵 抗		01
R452	RD357220	Carbon Resistor (chip)	22.0K 63M J RECT.	チ ッ ブ 抵 抗		01
R453	RD357470	Carbon Resistor (chip)	47.0K 63M J RECT.	チ ッ ブ 抵 抗		01
R454	RD357220	Carbon Resistor (chip)	22.0K 63M J RECT.	チ ッ ブ 抵 抗		01
R455	RD357470	Carbon Resistor (chip)	47.0K 63M J RECT.	チ ッ ブ 抵 抗		01
R456	RD358150	Carbon Resistor (chip)	150.0K 63M J RECT.	チ ッ ブ 抵 抗		01
R458	RD358130	Carbon Resistor (chip)	130.0K 63M J RECT.	チ ッ ブ 抵 抗	J,U,T	01
R459	RD357240	Carbon Resistor (chip)	24.0K 63M J RECT.	チ ッ ブ 抵 抗	J,U,T	01
R460	RD357470	Carbon Resistor (chip)	47.0K 63M J RECT.	チ ッ ブ 抵 抗		01
R461	RD357220	Carbon Resistor (chip)	22.0K 63M J RECT.	チ ッ ブ 抵 抗		01
R462	RD357220	Carbon Resistor (chip)	22.0K 63M J RECT.	チ ッ ブ 抵 抗		01
R463	RD157100	Carbon Resistor (chip)	10.0K 1/4 J TP	チ ッ ブ 抵 抗		01
R464	RD355100	Carbon Resistor (chip)	100.0 63M J RECT.	チ ッ ブ 抵 抗		01
R465	RD358150	Carbon Resistor (chip)	150.0K 63M J RECT.	チ ッ ブ 抵 抗	J,U,T	01
R466	RD355100	Carbon Resistor (chip)	100.0 63M J RECT.	チ ッ ブ 抵 抗		01
R467	RD358150	Carbon Resistor (chip)	150.0K 63M J RECT.	チ ッ ブ 抵 抗		01
R468	RD357220	Carbon Resistor (chip)	22.0K 63M J RECT.	チ ッ ブ 抵 抗		01
R469	RD357470	Carbon Resistor (chip)	47.0K 63M J RECT.	チ ッ ブ 抵 抗	J,U,T	01
R470	RD357220	Carbon Resistor (chip)	22.0K 63M J RECT.	チ ッ ブ 抵 抗	J,U,T	01
R471	RD357470	Carbon Resistor (chip)	47.0K 63M J RECT.	チ ッ ブ 抵 抗		01
R472	RD356100	Carbon Resistor (chip)	1.0K 63M J RECT.	チ ッ ブ 抵 抗		01
R473	RD357220	Carbon Resistor (chip)	22.0K 63M J RECT.	チ ッ ブ 抵 抗		01
R474	RD155130	Carbon Resistor (chip)	130.0 1/4 J TP	チ ッ ブ 抵 抗		01
R475	RD155130	Carbon Resistor (chip)	130.0 1/4 J TP	チ ッ ブ 抵 抗		01
R476	RD357470	Carbon Resistor (chip)	47.0K 63M J RECT.	チ ッ ブ 抵 抗		01
R477	RD357220	Carbon Resistor (chip)	22.0K 63M J RECT.	チ ッ ブ 抵 抗		01
R478	RD357470	Carbon Resistor (chip)	47.0K 63M J RECT.	チ ッ ブ 抵 抗		01
R479	RD357470	Carbon Resistor (chip)	47.0K 63M J RECT.	チ ッ ブ 抵 抗		01
R480	RD357220	Carbon Resistor (chip)	22.0K 63M J RECT.	チ ッ ブ 抵 抗		01
R481	RD358100	Carbon Resistor (chip)	100.0K 63M J RECT.	チ ッ ブ 抵 抗		01
R482	RD257270	Carbon Resistor (chip)	27.0K 0.1 J RECT.	チ ッ ブ 抵 抗		01
R483	HV753100	Flame Proof C. Resistor	1.0 1/4 J RX TP	不 燃 化 力 ー ボ ン 抵 抗		01
R484	RD155560	Carbon Resistor (chip)	560.0 1/4 J TP	チ ッ ブ 抵 抗		01
R485	RD357220	Carbon Resistor (chip)	22.0K 63M J RECT.	チ ッ ブ 抵 抗		01
R486	RD357470	Carbon Resistor (chip)	47.0K 63M J RECT.	チ ッ ブ 抵 抗		01
R487	RD355100	Carbon Resistor (chip)	100.0 63M J RECT.	チ ッ ブ 抵 抗		01
R488	RD358150	Carbon Resistor (chip)	150.0K 63M J RECT.	チ ッ ブ 抵 抗		01
R489	RD357220	Carbon Resistor (chip)	22.0K 63M J RECT.	チ ッ ブ 抵 抗		01
R490	RD155470	Carbon Resistor (chip)	470.0 1/4 J TP	チ ッ ブ 抵 抗		01
R492	RD357220	Carbon Resistor (chip)	22.0K 63M J RECT.	チ ッ ブ 抵 抗		01
R493	RD357470	Carbon Resistor (chip)	47.0K 63M J RECT.	チ ッ ブ 抵 抗		01
R494	RD357470	Carbon Resistor (chip)	47.0K 63M J RECT.	チ ッ ブ 抵 抗		01
R495	RD155130	Carbon Resistor (chip)	130.0 1/4 J TP	チ ッ ブ 抵 抗		01
R496	RD155130	Carbon Resistor (chip)	130.0 1/4 J TP	チ ッ ブ 抵 抗		01
R501	RD556390	Thick Film Chip Resistor	3.9K 0.1 D RECT.	チ ッ ブ 厚 膜 抵 抗		01
-510	RD556390	Thick Film Chip Resistor	3.9K 0.1 D RECT.	チ ッ ブ 厚 膜 抵 抗		01
R511	HF454680	Carbon Resistor	68.0 1/4 J AX TP	力 ー ボ ン 抵 抗		01
R512	HF454680	Carbon Resistor	68.0 1/4 J AX TP	力 ー ボ ン 抵 抗		01
R513	HF457100	Carbon Resistor	10.0K 1/4 J AX TP	力 ー ボ ン 抵 抗		01
-516	HF457100	Carbon Resistor	10.0K 1/4 J AX TP	力 ー ボ ン 抵 抗		01
R517	HF454680	Carbon Resistor	68.0 1/4 J AX TP	力 ー ボ ン 抵 抗		01
R518	HF454680	Carbon Resistor	68.0 1/4 J AX TP	力 ー ボ ン 抵 抗		01
R519	HF454180	Carbon Resistor	18.0 1/4 J AX TP	力 ー ボ ン 抵 抗		01

*: New parts

RANK: Japan only

REF NO.	PART NO.	DESCRIPTION	部 品 名	REMARKS	QTY	RANK
R520	HF454180	Carbon Resistor	18.0 1/4 J AX TP	力 - ボ ン 抵 抗		01
R521	HF455430	Carbon Resistor	430.0 1/4 J AX TP	力 - ボ ン 抵 抗		01
R522	HF457330	Carbon Resistor	33.0K 1/4 J AX TP	力 - ボ ン 抵 抗		01
R523	HF457270	Carbon Resistor	27.0K 1/4 J AX TP	力 - ボ ン 抵 抗		01
R524	HF455430	Carbon Resistor	430.0 1/4 J AX TP	力 - ボ ン 抵 抗		01
R525	HF457330	Carbon Resistor	33.0K 1/4 J AX TP	力 - ボ ン 抵 抗		01
R526	HF457270	Carbon Resistor	27.0K 1/4 J AX TP	力 - ボ ン 抵 抗		01
R527	HF458390	Carbon Resistor	390.0K 1/4 J AX TP	力 - ボ ン 抵 抗		01
-530	HF458390	Carbon Resistor	390.0K 1/4 J AX TP	力 - ボ ン 抵 抗		01
R531	HF457220	Carbon Resistor	22.0K 1/4 J AX TP	力 - ボ ン 抵 抗		01
R532	HF457220	Carbon Resistor	22.0K 1/4 J AX TP	力 - ボ ン 抵 抗		01
R533	HF457470	Carbon Resistor	47.0K 1/4 J AX TP	力 - ボ ン 抵 抗		01
R534	HF457470	Carbon Resistor	47.0K 1/4 J AX TP	力 - ボ ン 抵 抗		01
R535	HF458330	Carbon Resistor	330.0K 1/4 J AX TP	力 - ボ ン 抵 抗		01
R536	HF458330	Carbon Resistor	330.0K 1/4 J AX TP	力 - ボ ン 抵 抗		01
R537	HF457220	Carbon Resistor	22.0K 1/4 J AX TP	力 - ボ ン 抵 抗		01
R538	HB025560	Metal Film Resistor	560.0 1/4 F AX TP	金 属 被 膜 抵 抗		01
R539	HF457220	Carbon Resistor	22.0K 1/4 J AX TP	力 - ボ ン 抵 抗		01
R540	HB025560	Metal Film Resistor	560.0 1/4 F AX TP	金 属 被 膜 抵 抗		01
R541	HF455560	Carbon Resistor	560.0 1/4 J AX TP	力 - ボ ン 抵 抗		01
R542	HF455560	Carbon Resistor	560.0 1/4 J AX TP	力 - ボ ン 抵 抗		01
R543	HF457470	Carbon Resistor	47.0K 1/4 J AX TP	力 - ボ ン 抵 抗		01
R544	HF457470	Carbon Resistor	47.0K 1/4 J AX TP	力 - ボ ン 抵 抗		01
R545	HF455560	Carbon Resistor	560.0 1/4 J AX TP	力 - ボ ン 抵 抗		01
R546	HF457100	Carbon Resistor	10.0K 1/4 J AX TP	力 - ボ ン 抵 抗		01
R547	HF455560	Carbon Resistor	560.0 1/4 J AX TP	力 - ボ ン 抵 抗		01
R548	HF457100	Carbon Resistor	10.0K 1/4 J AX TP	力 - ボ ン 抵 抗		01
R549	HF455560	Carbon Resistor	560.0 1/4 J AX TP	力 - ボ ン 抵 抗		01
R550	HF455560	Carbon Resistor	560.0 1/4 J AX TP	力 - ボ ン 抵 抗		01
R551	WE457500	Carbon Resistor	11.0K 1/3 F FORM.	力 - ボ ン 抵 抗		01
-554	WE457500	Carbon Resistor	11.0K 1/3 F FORM.	力 - ボ ン 抵 抗		01
R555	HF457470	Carbon Resistor	47.0K 1/4 J AX TP	力 - ボ ン 抵 抗		01
-558	HF457470	Carbon Resistor	47.0K 1/4 J AX TP	力 - ボ ン 抵 抗		01
R559	HF455200	Carbon Resistor	200.0 1/4 J AX TP	力 - ボ ン 抵 抗		01
-562	HF455220	Carbon Resistor	220.0 1/4 J AX TP	力 - ボ ン 抵 抗		01
R563	HF457470	Carbon Resistor	47.0K 1/4 J AX TP	力 - ボ ン 抵 抗		01
-570	HF457470	Carbon Resistor	47.0K 1/4 J AX TP	力 - ボ ン 抵 抗		01
R571	HF455330	Carbon Resistor	330.0 1/4 J AX TP	力 - ボ ン 抵 抗		01
-574	HF455330	Carbon Resistor	330.0 1/4 J AX TP	力 - ボ ン 抵 抗		01
R575	HV755470	Flame Proof C. Resistor	470.0 1/4 J RX TP	不 燃 化 カ ー ボ ン 抵 抗		01
-578	HV755470	Flame Proof C. Resistor	470.0 1/4 J RX TP	不 燃 化 カ ー ボ ン 抵 抗		01
R579	RD358150	Carbon Resistor (chip)	150.0K 63M J RECT.	チ ッ プ 抵 抗		01
R580	RD358150	Carbon Resistor (chip)	150.0K 63M J RECT.	チ ッ プ 抵 抗		01
R581	HV753470	Flame Proof C. Resistor	4.7 1/4 J RX TP	不 燃 化 カ ー ボ ン 抵 抗		01
R583	RD357470	Carbon Resistor (chip)	47.0K 63M J RECT.	チ ッ プ 抵 抗		01
R584	RD357220	Carbon Resistor (chip)	22.0K 63M J RECT.	チ ッ プ 抵 抗		01
-586	RD357220	Carbon Resistor (chip)	22.0K 63M J RECT.	チ ッ プ 抵 抗		01
R587	RD355100	Carbon Resistor (chip)	100.0 63M J RECT.	チ ッ プ 抵 抗		01
R588	RD355100	Carbon Resistor (chip)	100.0 63M J RECT.	チ ッ プ 抵 抗		01
R589	RD358100	Carbon Resistor (chip)	100.0K 63M J RECT.	チ ッ プ 抵 抗		01
R590	RD357680	Carbon Resistor (chip)	68.0K 63M J RECT.	チ ッ プ 抵 抗		01
R591	HF456120	Carbon Resistor	1.2K 1/4 J AX TP	力 - ボ ン 抵 抗		01
R592	HF456120	Carbon Resistor	1.2K 1/4 J AX TP	力 - ボ ン 抵 抗		01
RY401	VZ003600	Relay	DC OSZ-SS-124DM8	リ レ - 2 4 V		05
RY402	VZ003600	Relay	DC OSZ-SS-124DM8	リ レ - 2 4 V		05
T441	X5642A00	Power Transformer	A	電 源 ト ラ ン ス	J	05
T441	X5643A00	Power Transformer	UL,CSA A	電 源 ト ラ ン ス	U,T	05
T441	X5644A00	Power Transformer	CE E	電 源 ト ラ ン ス	H,K,B,O	05
T441	X5645A00	Power Transformer	CE E	電 源 ト ラ ン ス	A	05
W401	WD361900	Connector Assembly	B&C	束 束	線 線	
W402	WD362000	Connector Assembly	B&C	束 束	線 線	
W403	WD362100	Connector Assembly	B&C	束 束	線 線	
*	WF397000	Circuit Board	PAL10	P A L 1 0 シ ー ト	XP1000 (X6751B0)	
*	WF396900	Circuit Board	PAL25	P A L 2 5 シ ー ト	XP2500 (X6751B0)	
*	WF396800	Circuit Board	PAL35	P A L 3 5 シ ー ト	XP3500 (X6751B0)	
C102	FU451220	Mica Capacitor	22P 500V J RX TP	マ イ カ コ ン		01
-105	FU451220	Mica Capacitor	22P 500V J RX TP	マ イ カ コ ン		01
C106	FG644100	Electrolytic Cap.	0.0100 50V Z RX TP	セ ラ コ ン (F)		01
C107	FG644100	Electrolytic Cap.	0.0100 50V Z RX TP	セ ラ コ ン (F)		01

△
△
△
△

*: New parts

RANK: Japan only

REF NO.	PART NO.	DESCRIPTION	部 品 名	REMARKS	QTY	RANK
C108	UR896470	Electrolytic Cap.	4.7 100.0V RX TP	ケ ミ コ ン		01
-111	UR896470	Electrolytic Cap.	4.7 100.0V RX TP	ケ ミ コ ン		01
C112	FG644100	Electrolytic Cap.	0.0100 50V Z RX TP	セ ラ コ ン (F)		01
-115	FG644100	Electrolytic Cap.	0.0100 50V Z RX TP	セ ラ コ ン (F)		01
C116	UA653220	Mylar Capacitor	2200P 50V J RX TP	マ イ ラ ー コ ン		01
-119	UA653220	Mylar Capacitor	2200P 50V J RX TP	マ イ ラ ー コ ン		01
C120	WD706100	Ceramic Capacitor-SL	33P 1KV J RX TP	セ ラ コ ン (S L)		
-123	WD706100	Ceramic Capacitor-SL	33P 1KV J RX TP	セ ラ コ ン (S L)		
C124	VZ004000	Electrolytic Cap.-SK	2.2 200.0V TP	ケ ミ コ ン S K		01
C125	VZ004000	Electrolytic Cap.-SK	2.2 200.0V TP	ケ ミ コ ン S K		01
C126	WD707800	Ceramic Capacitor-B	2200P 1KV K RX TP	セ ラ コ ン (B)		
C127	VR168300	Monolithic Mylar Capacitor	ECQ-V1H104JL3	積 層 マ イ ラ ー コ ン		01
-130	VR168300	Monolithic Mylar Capacitor	ECQ-V1H104JL3	積 層 マ イ ラ ー コ ン		01
C131	V5097700	Mylar Capacitor	3.3000 250V K	フ ィ ル ム コ ン		05
C132	V5097700	Mylar Capacitor	3.3000 250V K	フ ィ ル ム コ ン		05
C133	VZ004000	Electrolytic Cap.-SK	2.2 200.0V TP	ケ ミ コ ン S K		01
C134	VZ004000	Electrolytic Cap.-SK	2.2 200.0V TP	ケ ミ コ ン S K		01
C138	WD707800	Ceramic Capacitor-B	2200P 1KV K RX TP	セ ラ コ ン (B)		
C139	WD707800	Ceramic Capacitor-B	2200P 1KV K RX TP	セ ラ コ ン (B)		
C140	V9728800	Electrolytic Cap.	100.00 160.0V	ケ ミ コ ン		01
C141	V9728800	Electrolytic Cap.	100.00 160.0V	ケ ミ コ ン		01
CN101	VF283300	Base Post Connector	PH 15P TE	ベ ー ス ポ ス ト		01
CN102	WA767700	Fasten Terminal	16611BL-2	フ ァ ス ト ン 端 子		
-106	WA767700	Fasten Terminal	16611BL-2	フ ァ ス ト ン 端 子		
CN107	VB389800	Base Post Connector	PH 2P TE	ベ ー ス ポ ス ト		01
CN108	VB389800	Base Post Connector	PH 2P TE	ベ ー ス ポ ス ト		01
D101	VD631600	Diode	1SS133,176,HSS104	ダ イ オ ー ド		01
-104	VD631600	Diode	1SS133,176,HSS104	ダ イ オ ー ド		01
D105	VQ469600	Diode	HSS82 TJ-E TP	ダ イ オ ー ド		01
-108	VQ469600	Diode	HSS82 TJ-E TP	ダ イ オ ー ド		01
D109	VG439900	Zener Diode	MTZ J 11.0B 11.0V	ツ ェ ナ ー ダ イ オ ー ド		01
D110	VG438300	Zener Diode	MTZ J 6.8B 6.8V	ツ ェ ナ ー ダ イ オ ー ド		01
D111	VG439900	Zener Diode	MTZ J 11.0B 11.0V	ツ ェ ナ ー ダ イ オ ー ド		01
D112	VG438300	Zener Diode	MTZ J 6.8B 6.8V	ツ ェ ナ ー ダ イ オ ー ド		01
D113	VQ469600	Diode	HSS82 TJ-E TP	ダ イ オ ー ド		01
-120	VQ469600	Diode	HSS82 TJ-E TP	ダ イ オ ー ド		01
D121	WD543900	Diode	1N4004 DO-41	ダ イ オ ー ド		
-125	WD543900	Diode	1N4004 DO-41	ダ イ オ ー ド		
D128	WD543900	Diode	1N4004 DO-41	ダ イ オ ー ド		
D129	WD543900	Diode	1N4004 DO-41	ダ イ オ ー ド		
D130	WA757600	Diode	AL01ZV0 SUTO	ダ イ オ ー ド		05
D131	VJ657300	Diode	AK03 V0 TP	ダ イ オ ー ド		01
D132	VJ657300	Diode	AK03 V0 TP	ダ イ オ ー ド		01
D135	WA757600	Diode	AL01ZV0 SUTO	ダ イ オ ー ド		05
D136	WA757600	Diode	AL01ZV0 SUTO	ダ イ オ ー ド		05
D137	WD543900	Diode	1N4004 DO-41	ダ イ オ ー ド		
L101	WD408700	Coil		空 芯 コ イ ル 1 . 9 U		
L102	WD408700	Coil		空 芯 コ イ ル 1 . 9 U		
L103	V4668300	Coil	H-20 100UH	コ イ ル		08
L104	V4668300	Coil	H-20 100UH	コ イ ル		08
L105	WD408800	Coil		空 芯 コ イ ル 1 . 7 U		
L106	WD408800	Coil		空 芯 コ イ ル 1 . 7 U		
Q103	V2797600	Transistor	2SA2SA1993-T112-E/	ト ラ ン ジ ス タ		01
Q104	V2797600	Transistor	2SA2SA1993-T112-E/	ト ラ ン ジ ス タ		01
Q105	V2797700	Transistor	2SC2SC5395-T112-E/	ト ラ ン ジ ス タ		01
Q106	V2797700	Transistor	2SC2SC5395-T112-E/	ト ラ ン ジ ス タ		01
Q107	VR152900	Transistor	2SC2SC3790 E,F ST	ト ラ ン ジ ス タ		02
Q108	VR152900	Transistor	2SC2SC3790 E,F ST	ト ラ ン ジ ス タ		02
Q109	VR152800	Transistor	2SA2SA1480 E,F ST	ト ラ ン ジ ス タ		02
Q110	VR152800	Transistor	2SA2SA1480 E,F ST	ト ラ ン ジ ス タ		02
Q111	VU418600	Transistor	2SC2SC3468 D,E TP	ト ラ ン ジ ス タ		01
Q112	VU418400	Transistor	2SA2SA1371D/E-AE D	ト ラ ン ジ ス タ		01
Q113	V4096100	Transistor	2SC4614 S,T TP	ト ラ ン ジ ス タ		02
Q114	V4096000	Transistor	2SA1770 S,T TP	ト ラ ン ジ ス タ		03
-117	V4096000	Transistor	2SA1770 S,T TP	ト ラ ン ジ ス タ		03
R101	HF455100	Carbon Resistor	100.0 1/4 J AX TP	カ ー ボ ン 抵 抗		01
R102	HF455100	Carbon Resistor	100.0 1/4 J AX TP	カ ー ボ ン 抵 抗		01
R103	HF456160	Carbon Resistor	1.6K 1/4 J AX TP	カ ー ボ ン 抵 抗		01
R104	HF455200	Carbon Resistor	200.0 1/4 J AX TP	カ ー ボ ン 抵 抗		01
R105	HF456160	Carbon Resistor	1.6K 1/4 J AX TP	カ ー ボ ン 抵 抗		01

*: New parts

RANK: Japan only

REF NO.	PART NO.	DESCRIPTION	部 品 名	REMARKS	QTY	RANK
R106	HF455200	Carbon Resistor	200.0 1/4 J AX TP	力 - ボン 抵抗		01
R107	HF455180	Carbon Resistor	180.0 1/4 J AX TP	力 - ボン 抵抗		01
R108	HF455180	Carbon Resistor	180.0 1/4 J AX TP	力 - ボン 抵抗		01
R109	HF457470	Carbon Resistor	47.0K 1/4 J AX TP	力 - ボン 抵抗		01
-116	HF457470	Carbon Resistor	47.0K 1/4 J AX TP	力 - ボン 抵抗		01
R117	HF456220	Carbon Resistor	2.2K 1/4 J AX TP	力 - ボン 抵抗	XP2500	01
-120	HF456220	Carbon Resistor	2.2K 1/4 J AX TP	力 - ボン 抵抗	XP2500	01
R117	HF456270	Carbon Resistor	2.7K 1/4 J AX TP	力 - ボン 抵抗	XP3500	01
-120	HF456270	Carbon Resistor	2.7K 1/4 J AX TP	力 - ボン 抵抗	XP3500	01
R121	HF457200	Carbon Resistor	20.0K 1/4 J AX TP	力 - ボン 抵抗	XP1000	01
-124	HF457200	Carbon Resistor	20.0K 1/4 J AX TP	力 - ボン 抵抗	XP1000	01
R121	HF457160	Carbon Resistor	16.0K 1/4 J AX TP	力 - ボン 抵抗	XP2500	01
-124	HF457160	Carbon Resistor	16.0K 1/4 J AX TP	力 - ボン 抵抗	XP2500	01
R121	HF457240	Carbon Resistor	24.0K 1/4 J AX TP	力 - ボン 抵抗	XP3500	01
-124	HF457240	Carbon Resistor	24.0K 1/4 J AX TP	力 - ボン 抵抗	XP3500	01
R125	HV755680	Flame Proof C. Resistor	680.0 1/4 J RX TP	不燃化力 - ボン 抵抗		01
-128	HV755680	Flame Proof C. Resistor	680.0 1/4 J RX TP	不燃化力 - ボン 抵抗		01
R129	HV755330	Flame Proof C. Resistor	330.0 1/4 J RX TP	不燃化力 - ボン 抵抗		01
-132	HV755330	Flame Proof C. Resistor	330.0 1/4 J RX TP	不燃化力 - ボン 抵抗		01
R133	HV755100	Flame Proof C. Resistor	100.0 1/4 J RX TP	不燃化力 - ボン 抵抗		01
-136	HV755100	Flame Proof C. Resistor	100.0 1/4 J RX TP	不燃化力 - ボン 抵抗		01
R137	HV754330	Flame Proof C. Resistor	33.0 1/4 J RX TP	不燃化力 - ボン 抵抗		01
-140	HV754330	Flame Proof C. Resistor	33.0 1/4 J RX TP	不燃化力 - ボン 抵抗		01
R141	HV753470	Flame Proof C. Resistor	4.7 1/4 J RX TP	不燃化力 - ボン 抵抗	XP3500	01
-144	HV753470	Flame Proof C. Resistor	4.7 1/4 J RX TP	不燃化力 - ボン 抵抗	XP3500	01
R145	HV754220	Flame Proof C. Resistor	22.0 1/4 J RX TP	不燃化力 - ボン 抵抗	XP3500	01
-148	HV754220	Flame Proof C. Resistor	22.0 1/4 J RX TP	不燃化力 - ボン 抵抗	XP3500	01
R149	V4833200	Wire Wound Resistor	0.22 5W K	セメント 抵抗	XP3500	01
-152	V4833200	Wire Wound Resistor	0.22 5W K	セメント 抵抗	XP3500	01
R153	HV753470	Flame Proof C. Resistor	4.7 1/4 J RX TP	不燃化力 - ボン 抵抗		01
-156	HV753470	Flame Proof C. Resistor	4.7 1/4 J RX TP	不燃化力 - ボン 抵抗		01
R157	HV754220	Flame Proof C. Resistor	22.0 1/4 J RX TP	不燃化力 - ボン 抵抗		01
-160	HV754220	Flame Proof C. Resistor	22.0 1/4 J RX TP	不燃化力 - ボン 抵抗		01
R161	V4833200	Wire Wound Resistor	0.22 5W K	セメント 抵抗		01
-164	V4833200	Wire Wound Resistor	0.22 5W K	セメント 抵抗		01
R165	HV753470	Flame Proof C. Resistor	4.7 1/4 J RX TP	不燃化力 - ボン 抵抗		01
-168	HV753470	Flame Proof C. Resistor	4.7 1/4 J RX TP	不燃化力 - ボン 抵抗		01
R169	HV754220	Flame Proof C. Resistor	22.0 1/4 J RX TP	不燃化力 - ボン 抵抗		01
-172	HV754220	Flame Proof C. Resistor	22.0 1/4 J RX TP	不燃化力 - ボン 抵抗		01
R173	V4833200	Wire Wound Resistor	0.22 5W K	セメント 抵抗		01
-176	V4833200	Wire Wound Resistor	0.22 5W K	セメント 抵抗		01
R177	HV753470	Flame Proof C. Resistor	4.7 1/4 J RX TP	不燃化力 - ボン 抵抗		01
R178	HF456560	Carbon Resistor	5.6K 1/4 J AX TP	力 - ボン 抵抗		01
R179	HF456560	Carbon Resistor	5.6K 1/4 J AX TP	力 - ボン 抵抗		01
R180	VC755500	Metal Oxide Film Resistor	4.7 2W J FORMING	酸化金属被膜 抵抗		01
R181	VC755500	Metal Oxide Film Resistor	4.7 2W J FORMING	酸化金属被膜 抵抗		01
R182	HV754220	Flame Proof C. Resistor	22.0 1/4 J RX TP	不燃化力 - ボン 抵抗		01
R183	HV754220	Flame Proof C. Resistor	22.0 1/4 J RX TP	不燃化力 - ボン 抵抗		01
R184	HV756220	Flame Proof C. Resistor	2.2K 1/4 J RX TP	不燃化力 - ボン 抵抗		01
R185	HV756220	Flame Proof C. Resistor	2.2K 1/4 J RX TP	不燃化力 - ボン 抵抗		01
R186	VC755500	Metal Oxide Film Resistor	4.7 2W J FORMING	酸化金属被膜 抵抗		01
R187	VC755500	Metal Oxide Film Resistor	4.7 2W J FORMING	酸化金属被膜 抵抗		01
R188	HV755150	Flame Proof C. Resistor	150.0 1/4 J RX TP	不燃化力 - ボン 抵抗		01
R189	HV755150	Flame Proof C. Resistor	150.0 1/4 J RX TP	不燃化力 - ボン 抵抗		01
R190	HV753220	Flame Proof C. Resistor	2.2 1/4 J RX TP	不燃化力 - ボン 抵抗		01
R191	HV753220	Flame Proof C. Resistor	2.2 1/4 J RX TP	不燃化力 - ボン 抵抗		01
R192	HV753100	Flame Proof C. Resistor	1.0 1/4 J RX TP	不燃化力 - ボン 抵抗		01
R193	VZ370200	Wire Wound Resistor	0.1 5W K	セメント 抵抗		01
R194	VZ370200	Wire Wound Resistor	0.1 5W K	セメント 抵抗		01
R195	HV753100	Flame Proof C. Resistor	1.0 1/4 J RX TP	不燃化力 - ボン 抵抗		01
R196	HV753220	Flame Proof C. Resistor	2.2 1/4 J RX TP	不燃化力 - ボン 抵抗	XP2500/XP3500	01
R197	HV753220	Flame Proof C. Resistor	2.2 1/4 J RX TP	不燃化力 - ボン 抵抗	XP2500/XP3500	01
R198	VZ370200	Wire Wound Resistor	0.1 5W K	セメント 抵抗	XP2500/XP3500	01
R199	VZ370200	Wire Wound Resistor	0.1 5W K	セメント 抵抗	XP2500/XP3500	01
R200	HV754100	Flame Proof C. Resistor	10.0 1/4 J RX TP	不燃化力 - ボン 抵抗		01
R201	HV754100	Flame Proof C. Resistor	10.0 1/4 J RX TP	不燃化力 - ボン 抵抗		01
R202	HV755330	Flame Proof C. Resistor	330.0 1/4 J RX TP	不燃化力 - ボン 抵抗		01
* R203	VC762000	Metal Oxide Film Resistor	1.8K 2W J	酸化金属被膜 抵抗	XP1000	01
R203	VC762900	Metal Oxide Film Resistor	3.9K 2W J	酸化金属被膜 抵抗	XP2500/XP3500	01
R204	HF454330	Carbon Resistor	33.0 1/4 J AX TP	力 - ボン 抵抗	XP1000	01

※: New parts

RANK: Japan only

REF NO.	PART NO.	DESCRIPTION	部 品 名	REMARKS	QTY	RANK
R204	HF454220	Carbon Resistor	22.0 1/4 J AX TP	力 ー ボ ン 抵 抗	XP2500/XP3500	01
R205	HV755220	Flame Proof C. Resistor	220.0 1/4 J RX TP	不 燃 化 カ ー ボ ン 抵 抗		01
R206	HV755330	Flame Proof C. Resistor	330.0 1/4 J RX TP	不 燃 化 カ ー ボ ン 抵 抗		01
* R207	VC762000	Metal Oxide Film Resistor	1.8K 2W J	酸 化 金 属 被 膜 抵 抗	XP1000	
R207	VC762900	Metal Oxide Film Resistor	3.9K 2W J	酸 化 金 属 被 膜 抵 抗	XP2500/XP3500	
R208	HV754560	Flame Proof C. Resistor	56.0 1/4 J RX TP	不 燃 化 カ ー ボ ン 抵 抗		01
* R209	VC762000	Metal Oxide Film Resistor	1.8K 2W J	酸 化 金 属 被 膜 抵 抗	XP1000	
R209	VC762900	Metal Oxide Film Resistor	3.9K 2W J	酸 化 金 属 被 膜 抵 抗	XP2500/XP3500	
R210	HV755470	Flame Proof C. Resistor	470.0 1/4 J RX TP	不 燃 化 カ ー ボ ン 抵 抗		01
R211	HV754100	Flame Proof C. Resistor	10.0 1/4 J RX TP	不 燃 化 カ ー ボ ン 抵 抗		01
R212	HV754100	Flame Proof C. Resistor	10.0 1/4 J RX TP	不 燃 化 カ ー ボ ン 抵 抗		01
R213	HV754100	Flame Proof C. Resistor	10.0 1/4 J RX TP	不 燃 化 カ ー ボ ン 抵 抗	XP2500/XP3500	01
R214	HV754100	Flame Proof C. Resistor	10.0 1/4 J RX TP	不 燃 化 カ ー ボ ン 抵 抗	XP2500/XP3500	01
R215	HV754100	Flame Proof C. Resistor	10.0 1/4 J RX TP	不 燃 化 カ ー ボ ン 抵 抗		01
R216	HV754100	Flame Proof C. Resistor	10.0 1/4 J RX TP	不 燃 化 カ ー ボ ン 抵 抗	XP3500	01
R217	HV754100	Flame Proof C. Resistor	10.0 1/4 J RX TP	不 燃 化 カ ー ボ ン 抵 抗	XP3500	01
R218	HV755680	Flame Proof C. Resistor	680.0 1/4 J RX TP	不 燃 化 カ ー ボ ン 抵 抗		01
R219	HV755680	Flame Proof C. Resistor	680.0 1/4 J RX TP	不 燃 化 カ ー ボ ン 抵 抗		01
R220	HF457120	Carbon Resistor	12.0K 1/4 J AX TP	カ ー ボ ン 抵 抗		01
R221	HF457120	Carbon Resistor	12.0K 1/4 J AX TP	カ ー ボ ン 抵 抗		01
R222	HV754100	Flame Proof C. Resistor	10.0 1/4 J RX TP	不 燃 化 カ ー ボ ン 抵 抗		01
-225	HV754100	Flame Proof C. Resistor	10.0 1/4 J RX TP	不 燃 化 カ ー ボ ン 抵 抗		01
RY101	VV315400	Relay	DC OSA-SH-224DM3M	リ レ ー 2 4 V		06
RY102	VV315400	Relay	DC OSA-SH-224DM3M	リ レ ー 2 4 V		06
VR101	VA787500	Trimmer Potentiometer	B 470 AX 3P RHEOA	半 固 定 V R		01
VR102	VA787500	Trimmer Potentiometer	B 470 AX 3P RHEOA	半 固 定 V R		01
* * * * *	WF400000	Circuit Board	IO10	I O 1 0 シ ー ト	XP1000 (WF39950)(X6754C0/D0)	
* * * * *	WF399900	Circuit Board	IO25	I O 2 5 シ ー ト	XP2500 (WF39940)(X6754C0/D0)	
* * * * *	WF399800	Circuit Board	IO35	I O 3 5 シ ー ト	XP3500 (WF39930)(X6754C0/D0)	
* * * * *	WF400500	Circuit Board	PSW10	P S W 1 0 シ ー ト	XP1000 (WF39950)(X6754C0/D0)	
* * * * *	WF400400	Circuit Board	PSW25	P S W 2 5 シ ー ト	XP2500 (WF39940)(X6754C0/D0)	
* * * * *	WF400300	Circuit Board	PSW35	P S W 3 5 シ ー ト	XP3500 (WF39930)(X6754C0/D0)	
* * * * *	WF401000	Circuit Board	VR10	V R 1 0 シ ー ト	XP1000 (WF39950)(X6754C0/D0)	
* * * * *	WF400900	Circuit Board	VR25	V R 2 5 シ ー ト	XP2500 (WF39940)(X6754C0/D0)	
* * * * *	WF400800	Circuit Board	VR35	V R 3 5 シ ー ト	XP3500 (WF39930)(X6754C0/D0)	
* * * * *	WF401500	Circuit Board	LED10	L E D 1 0 シ ー ト	XP1000 (WF39950)(X6754C0/D0)	
* * * * *	WF401400	Circuit Board	LED25	L E D 2 5 シ ー ト	XP2500 (WF39940)(X6754C0/D0)	
* * * * *	WF401300	Circuit Board	LED35	L E D 3 5 シ ー ト	XP3500 (WF39930)(X6754C0/D0)	
200	WD494300	Earth Film		ア ー ス フ ィ ル ム		
* 210	WG463400	Earth Film		ア ー ス フ ィ ル ム		
C301	US061220	Ceramic Capacitor-CH(chip)	22P 50V J RECT.	チ ッ プ セ ラ (C H)		01
-304	US061220	Ceramic Capacitor-CH(chip)	22P 50V J RECT.	チ ッ プ セ ラ (C H)		01
C305	US061560	Ceramic Capacitor-CH(chip)	56P 50V J RECT.	チ ッ プ セ ラ (C H)		01
-310	US061560	Ceramic Capacitor-CH(chip)	56P 50V J RECT.	チ ッ プ セ ラ (C H)		01
C301	US061220	Ceramic Capacitor-CH(chip)	22P 50V J RECT.	チ ッ プ セ ラ (C H)		01
-310	US061560	Ceramic Capacitor-CH(chip)	56P 50V J RECT.	チ ッ プ セ ラ (C H)		01
C311	VR168400	Monolithic Mylar Capacitor	ECQ-V1H124JL3	積 層 マ イ ラ ー コ ン		01
-318	VR168400	Monolithic Mylar Capacitor	ECQ-V1H124JL3	積 層 マ イ ラ ー コ ン		01
C319	US061220	Ceramic Capacitor-CH(chip)	22P 50V J RECT.	チ ッ プ セ ラ (C H)		01
C320	WD707800	Ceramic Capacitor-B	2200P 1KV K RX TP	セ ラ コ ン (B)		
C321	WD707800	Ceramic Capacitor-B	2200P 1KV K RX TP	セ ラ コ ン (B)		
C322	US064100	Ceramic Capacitor-B (chip)	0.0100 50V K RECT.	チ ッ プ セ ラ (B)		01
C323	US064100	Ceramic Capacitor-B (chip)	0.0100 50V K RECT.	チ ッ プ セ ラ (B)		01
C324	WD707800	Ceramic Capacitor-B	2200P 1KV K RX TP	セ ラ コ ン (B)		
C325	WD707800	Ceramic Capacitor-B	2200P 1KV K RX TP	セ ラ コ ン (B)		
C326	US062470	Ceramic Capacitor-SL(chip)	470P 50V J RECT.	チ ッ プ セ ラ (S L)		01
C327	US062470	Ceramic Capacitor-SL(chip)	470P 50V J RECT.	チ ッ プ セ ラ (S L)		01
C328	US063100	Ceramic Capacitor-B (chip)	1000P 50V K RECT.	チ ッ プ セ ラ (B)		01
C329	US063100	Ceramic Capacitor-B (chip)	1000P 50V K RECT.	チ ッ プ セ ラ (B)		01
C330	VR168700	Monolithic Mylar Capacitor	ECQ-V1H224JL3	積 層 マ イ ラ ー コ ン		01
-333	VR168700	Monolithic Mylar Capacitor	ECQ-V1H224JL3	積 層 マ イ ラ ー コ ン		01
C334	UR866470	Electrolytic Cap.	4.70 50.0V RX TP	ケ ミ コ ン		01
C335	UR866470	Electrolytic Cap.	4.70 50.0V RX TP	ケ ミ コ ン		01
C336	US065100	Ceramic Capacitor-F (chip)	0.100 50V Z RECT.	チ ッ プ セ ラ F		
-345	US065100	Ceramic Capacitor-F (chip)	0.100 50V Z RECT.	チ ッ プ セ ラ F		
CN301	VB390300	Base Post Connector	PH 7P TE	ベ ー ス ポ ス ト		01
CN302	VB390400	Base Post Connector	PH 8P TE	ベ ー ス ポ ス ト		01
CN303	VB858600	Base Post Connector	PH 7P SE	ベ ー ス ポ ス ト		01
CN304	VB390200	Base Post Connector	PH 6P TE	ベ ー ス ポ ス ト		01

*: New parts

RANK: Japan only

REF NO.	PART NO.	DESCRIPTION	部 品 名	REMARKS	QTY	RANK
D301	VR496500	Diode	MA111 FLAT TP	ダイオード		
-305	VR496500	Diode	MA111 FLAT TP	ダイオード		
HO301	VI878400	Cable Holder	51048 6P TE	ケーブルホルダ		01
HO302	VI878400	Cable Holder	51048 6P TE	ケーブルホルダ		01
HO303	WD494800	LED Spacer		スペースLED		
-308	WD494800	LED Spacer		スペースLED		
IC301	X3505A00	IC	NJM2068M-D(TE2)	IC	OP AMP	02
-305	X3505A00	IC	NJM2068M-D(TE2)	IC	OP AMP	02
JK301	WA767800	XLM Connector	JACK XLR-301J	キャノンコネクタ		03
JK302	WA767800	XLM Connector	JACK XLR-301J	キャノンコネクタ		03
JK303	V8918400	Terminal	ME050-50806	ミニ端子台		06
JK304	V6706500	D-SUB Connector	KH 15P SE	D-subコネクタ		05
LD301	WA097500	LED	3-00 DIFFUSED	LED		01
LD302	WA097500	LED	3-00 DIFFUSED	LED		01
LD303	V9790400	LED	HFR203PJ-3-00	LED		01
-306	V9790400	LED	HFR203PJ-3-00	LED		01
LD307	VS079300	LED	SPR-39MVWF	2色LED		01
Q301	WC529400	Transistor	2SCKTC3875S-Y,GR-R	トランジスタ		
Q302	WC529400	Transistor	2SCKTC3875S-Y,GR-R	トランジスタ		
Q303	WC435000	Digital Transistor	KRC102S-RTK/P	デジタルトランジスタ		01
Q304	WC435000	Digital Transistor	KRC102S-RTK/P	デジタルトランジスタ		01
Q305	WC434800	Digital Transistor	KRA102S-RTK/P	デジタルトランジスタ		01
-308	WC434800	Digital Transistor	KRA102S-RTK/P	デジタルトランジスタ		01
R301	RD557100	Thick Film Chip Resistor	10.0K 0.1 D RECT.	チップ厚膜抵抗		01
-308	RD557100	Thick Film Chip Resistor	10.0K 0.1 D RECT.	チップ厚膜抵抗		01
R309	RD354180	Carbon Resistor (chip)	18.0 63M J RECT.	チップ抵抗		01
R310	RD354180	Carbon Resistor (chip)	18.0 63M J RECT.	チップ抵抗		01
R311	RD356910	Carbon Resistor (chip)	9.1K 63M J RECT.	チップ抵抗		01
R312	RD356910	Carbon Resistor (chip)	9.1K 63M J RECT.	チップ抵抗		01
R313	RD356620	Carbon Resistor (chip)	6.2K 63M J RECT.	チップ抵抗		01
R314	RD356620	Carbon Resistor (chip)	6.2K 63M J RECT.	チップ抵抗		01
R315	RD356820	Carbon Resistor (chip)	8.2K 63M J RECT.	チップ抵抗	XP1000/XP2500	01
R315	RD557100	Thick Film Chip Resistor	10.0K 0.1 D RECT.	チップ厚膜抵抗	XP3500	01
R316	RD356820	Carbon Resistor (chip)	8.2K 63M J RECT.	チップ抵抗	XP1000/XP2500	01
R316	RD557100	Thick Film Chip Resistor	10.0K 0.1 D RECT.	チップ厚膜抵抗	XP3500	01
R317	RD557100	Thick Film Chip Resistor	10.0K 0.1 D RECT.	チップ厚膜抵抗		01
-324	RD557100	Thick Film Chip Resistor	10.0K 0.1 D RECT.	チップ厚膜抵抗		01
* R325	RD556620	Thick Film Chip Resistor	6.2K 0.1 D RECT.	チップ厚膜抵抗		
* R326	RD556620	Thick Film Chip Resistor	6.2K 0.1 D RECT.	チップ厚膜抵抗		
* R327	RD557110	Thick Film Chip Resistor	11.0K 0.1 D RECT.	チップ厚膜抵抗	XP1000	
* R327	RD556470	Thick Film Chip Resistor	4.7K 0.1 D RECT.	チップ厚膜抵抗	XP2500	
* R327	RD556300	Thick Film Chip Resistor	3.0K 0.1 D RECT.	チップ厚膜抵抗	XP3500	01
* R328	RD557110	Thick Film Chip Resistor	11.0K 0.1 D RECT.	チップ厚膜抵抗	XP1000	
* R328	RD556470	Thick Film Chip Resistor	4.7K 0.1 D RECT.	チップ厚膜抵抗	XP2500	
* R328	RD556300	Thick Film Chip Resistor	3.0K 0.1 D RECT.	チップ厚膜抵抗	XP3500	01
R329	RD354180	Carbon Resistor (chip)	18.0 63M J RECT.	チップ抵抗		01
R330	RD354180	Carbon Resistor (chip)	18.0 63M J RECT.	チップ抵抗		01
* R331	RD557390	Thick Film Chip Resistor	39.0K 0.1 D RECT.	チップ厚膜抵抗		
* R332	RD557390	Thick Film Chip Resistor	39.0K 0.1 D RECT.	チップ厚膜抵抗		
* R333	RD558100	Thick Film Chip Resistor	100.0K 0.1 D RECT.	チップ厚膜抵抗		
* R334	RD558100	Thick Film Chip Resistor	100.0K 0.1 D RECT.	チップ厚膜抵抗		
* R335	RD557150	Thick Film Chip Resistor	15.0K 0.1 D RECT.	チップ厚膜抵抗		
* R336	RD557150	Thick Film Chip Resistor	15.0K 0.1 D RECT.	チップ厚膜抵抗		
* R337	RD557390	Thick Film Chip Resistor	39.0K 0.1 D RECT.	チップ厚膜抵抗		
* R338	RD557390	Thick Film Chip Resistor	39.0K 0.1 D RECT.	チップ厚膜抵抗		
R339	RD354180	Carbon Resistor (chip)	18.0 63M J RECT.	チップ抵抗		01
-342	RD354180	Carbon Resistor (chip)	18.0 63M J RECT.	チップ抵抗		01
R343	RD557100	Thick Film Chip Resistor	10.0K 0.1 D RECT.	チップ厚膜抵抗		01
R344	RD557100	Thick Film Chip Resistor	10.0K 0.1 D RECT.	チップ厚膜抵抗		01
R345	RD354180	Carbon Resistor (chip)	18.0 63M J RECT.	チップ抵抗		01
R346	HV754220	Flame Proof C. Resistor	22.0 1/4 J RX TP	不燃化カーボン抵抗		01
R347	HV754220	Flame Proof C. Resistor	22.0 1/4 J RX TP	不燃化カーボン抵抗		01
R348	VC748800	Metal Oxide Film Resistor	3.3K 1W J	酸化金属被膜抵抗		01
-351	VC748800	Metal Oxide Film Resistor	3.3K 1W J	酸化金属被膜抵抗		01
R352	RD155330	Carbon Resistor (chip)	330.0 1/4 J TP	チップ抵抗		01
R353	RD155330	Carbon Resistor (chip)	330.0 1/4 J TP	チップ抵抗		01
R354	RD354100	Carbon Resistor (chip)	10.0 63M J RECT.	チップ抵抗		01
* R355	RD556220	Thick Film Chip Resistor	2.2K 0.1 D RECT.	チップ厚膜抵抗	XP1000	
* R355	RD556180	Thick Film Chip Resistor	1.8K 0.1 D RECT.	チップ厚膜抵抗	XP2500	
* R355	RD556150	Thick Film Chip Resistor	1.5K 0.1 D RECT.	チップ厚膜抵抗	XP3500	01

*: New parts

RANK: Japan only

REF NO.	PART NO.	DESCRIPTION	部 品 名	REMARKS	QTY	RANK
R356	HV754220	Flame Proof C. Resistor	22.0 1/4 J RX TP	不 燃 化 力 ー ボ ン 抵 抗		01
R357	HV754220	Flame Proof C. Resistor	22.0 1/4 J RX TP	不 燃 化 力 ー ボ ン 抵 抗		01
* R358	RD157150	Carbon Resistor (chip)	15.0K 1/4 J TP	チ ッ プ 抵 抗		
* R359	RD157150	Carbon Resistor (chip)	15.0K 1/4 J TP	チ ッ プ 抵 抗		
R360	RD156470	Carbon Resistor (chip)	4.7K 1/4 J TP	チ ッ プ 抵 抗		
R361	RD156470	Carbon Resistor (chip)	4.7K 1/4 J TP	チ ッ プ 抵 抗		
R362	RD356470	Carbon Resistor (chip)	4.7K 63M J RECT.	チ ッ プ 抵 抗		01
R363	RD356470	Carbon Resistor (chip)	4.7K 63M J RECT.	チ ッ プ 抵 抗		01
R364	RD357100	Carbon Resistor (chip)	10.0K 63M J RECT.	チ ッ プ 抵 抗		01
R365	RD357100	Carbon Resistor (chip)	10.0K 63M J RECT.	チ ッ プ 抵 抗		01
R366	RD355220	Carbon Resistor (chip)	220.0 63M J RECT.	チ ッ プ 抵 抗		01
-369	RD355220	Carbon Resistor (chip)	220.0 63M J RECT.	チ ッ プ 抵 抗		01
R370	RD156120	Carbon Resistor (chip)	1.2K 1/4 J TP	チ ッ プ 抵 抗		
-381	RD156120	Carbon Resistor (chip)	1.2K 1/4 J TP	チ ッ プ 抵 抗		
R382	RD356470	Carbon Resistor (chip)	4.7K 63M J RECT.	チ ッ プ 抵 抗		01
-385	RD356470	Carbon Resistor (chip)	4.7K 63M J RECT.	チ ッ プ 抵 抗		01
SP301	V8181700	Receptacle	NL4MD-H	レ セ プ タ ク ル 4 P		06
SP302	V8181700	Receptacle	NL4MD-H	レ セ プ タ ク ル 4 P		06
SP303	VZ956900	Speaker Terminal	STB-403AU 4P	ス ピ ー カ 端 子		06
* SW301	WF467100	Slide Switch	SS001-P243OHB-PA14	ス ラ イ ド S W		
* -304	WF467100	Slide Switch	SS001-P243OHB-PA14	ス ラ イ ド S W		
SW305	WE248300	Push Switch	SY17-4-2(U1D1)/T U	プ ッ シ ュ S W		
VR301	VR150500	Rotary Variable Resistor	S 5K RK271112001NA	ロ ー タ リ ー V R		07
VR302	VR150500	Rotary Variable Resistor	S 5K RK271112001NA	ロ ー タ リ ー V R		07
W301	WD359800	Connector	B&B	束 線 B & B		
* W302	WF444600	Jumper Lead	SMV2J P=2.0 6-10	ジャンパーリード		
* W303	WD361200	Connector Assembly	OUT	束 線 O U T		
W304	WD362300	Connector Assembly	B&C	束 線		
W305	WD361100	Connector Assembly	B&C	束 線		
W306	WD362400	Connector Assembly	B&C	束 線		
* W307	WD360600	Connector Assembly	B&C	束 線		
* W308	WD360600	Connector Assembly	B&C	束 線	XP3500	
* W309	WD360700	Connector Assembly	B&C	束 線		
* W310	WF873000	Connector Assembly	B&C 10P 150L	束 線		

*: New parts

RANK: Japan only